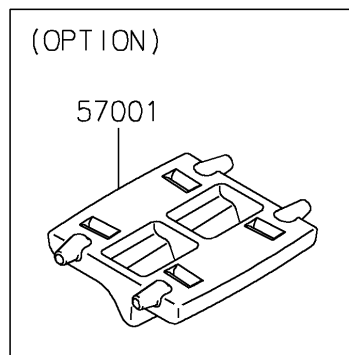


## 2017 PARTS DIAGRAM

Accessory(Decals)

F2910D



## 2017 PARTS LIST

Accessory(Decals)

ITEM NAME	PART NUMBER	QUANTITY
RIM STRIPE APPLICATOR (Ref # 57001)	57001-1752	1
WHEEL RIM TAPE, GREEN (Ref # 99994)	99994-0932	1
WHEEL RIM TAPE, SILVER (Ref # 99994A)	99994-0933	1