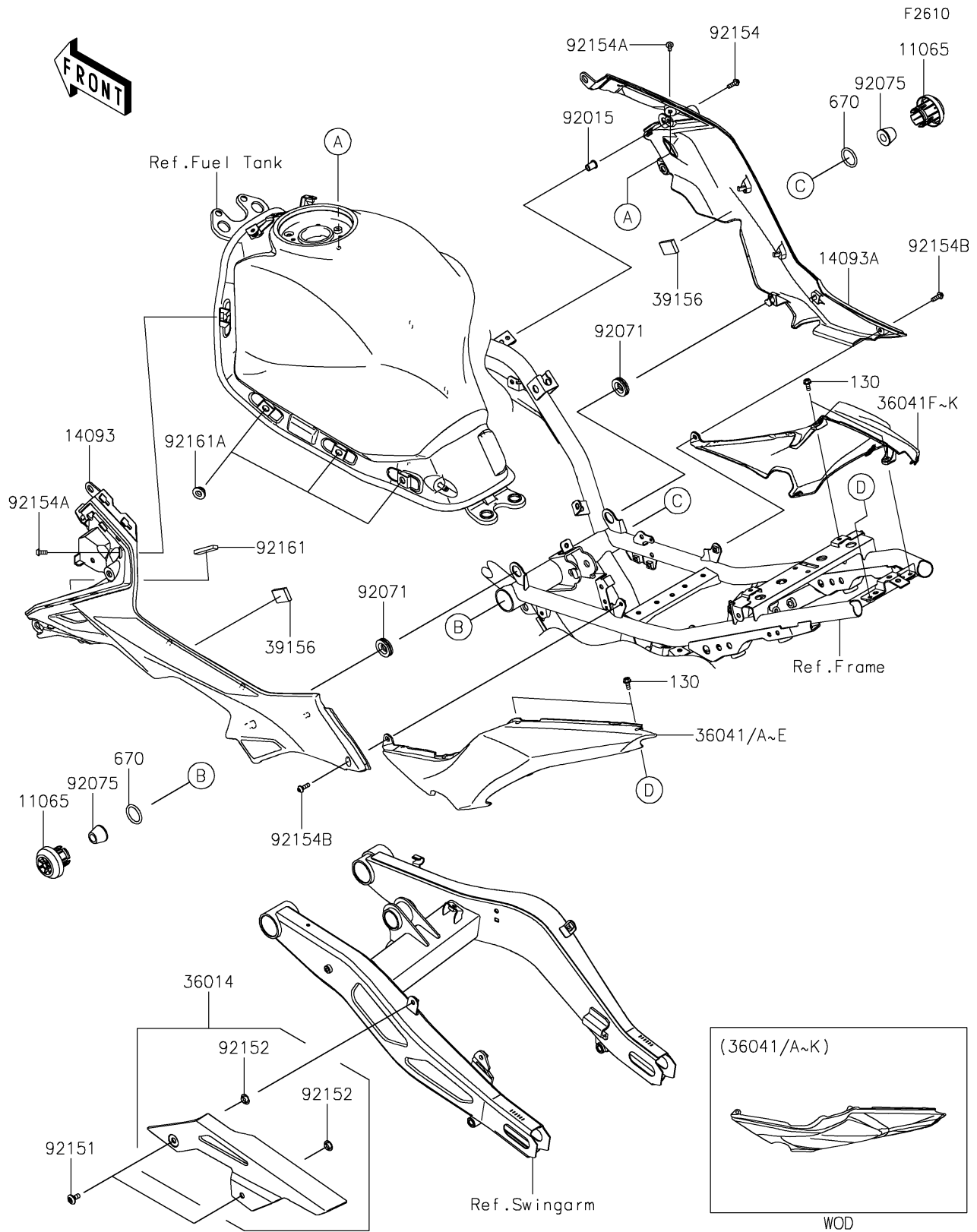


## 2017 PARTS DIAGRAM

Side Covers/Chain Cover



## 2017 PARTS LIST

Side Covers/Chain Cover

ITEM NAME	PART NUMBER	QUANTITY
CAP (Ref # 11065)	11065-0956	1
BOLT-FLANGED,5X12 (Ref # 130)	130BA0512	1
COVER,KNEE GRIP,LH (Ref # 14093)	14093-0613	1
COVER,KNEE GRIP,RH (Ref # 14093A)	14093-0614	1
CASE-CHAIN (Ref # 36014)	36014-0044	1
COVER-TAIL,LH,P.F.S.WHITE (Ref # 36041B)	36041-0033-40X	1
COVER-TAIL,LH,M.S.BLACK (Ref # 36041D)	36041-0033-660	1
COVER-TAIL,RH,P.F.S.WHITE (Ref # 36041H)	36041-0034-40X	1
COVER-TAIL,RH,M.S.BLACK (Ref # 36041J)	36041-0034-660	1
PAD,20X30X6 (Ref # 39156)	39156-1751	1
O RING,25MM (Ref # 670)	670B3025	1
NUT,WELL,5MM (Ref # 92015)	92015-1757	1
GROMMET (Ref # 92071)	92071-1043	1
DAMPER,CAP (Ref # 92075)	92075-039	1
BOLT,SOCKET,6X14 (Ref # 92151)	92151-1654	1
COLLAR,8.8X11.2X4 (Ref # 92152)	92152-0909	1
BOLT,SOCKET,5X16 (Ref # 92154)	92154-0209	1
BOLT,SOCKET,5X12 (Ref # 92154A)	92154-1421	1
BOLT,SOCKET,5X16 (Ref # 92154B)	92154-1701	1
DAMPER,TANK COVER (Ref # 92161)	92161-0804	1
DAMPER,6X20X7.5 (Ref # 92161A)	92161-1937	1