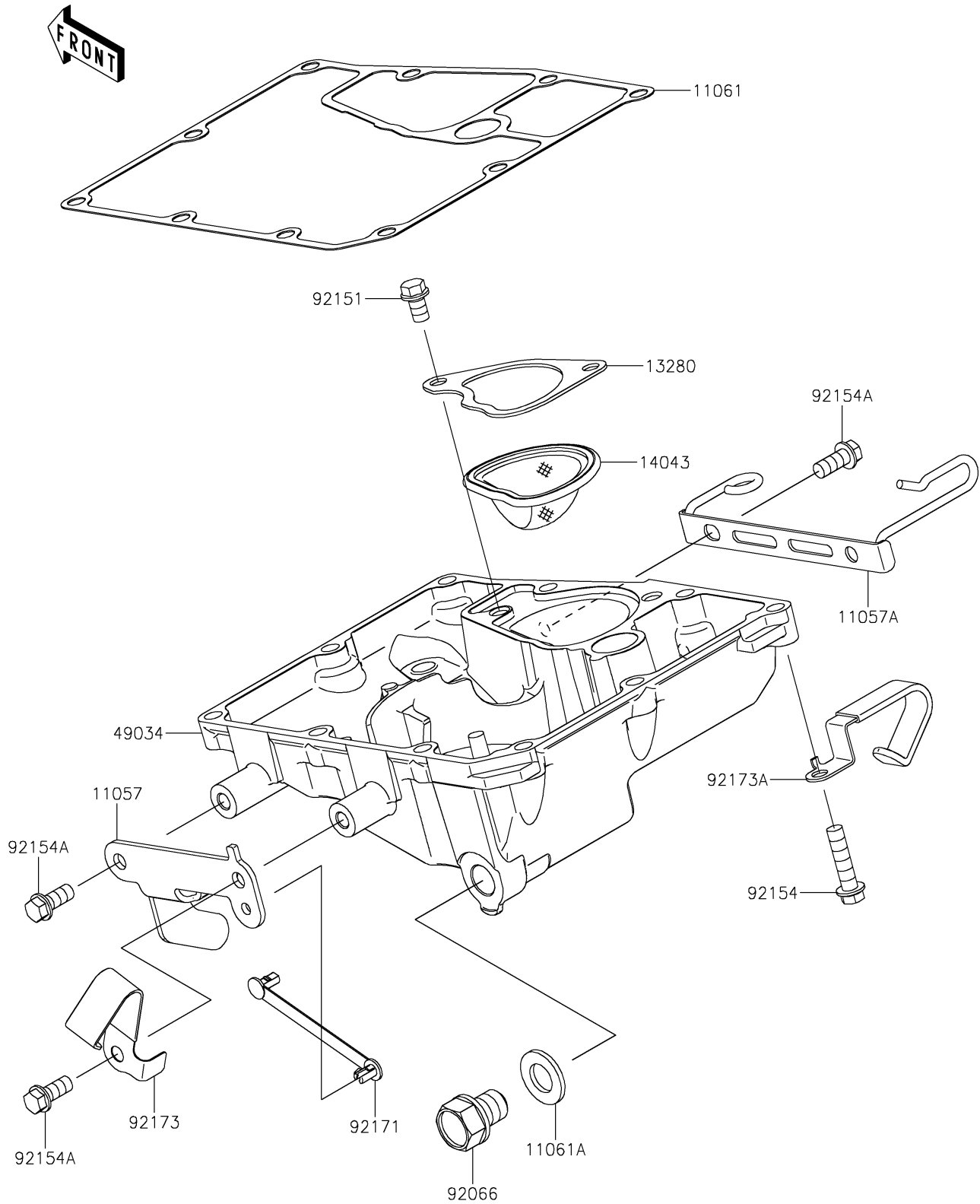


2017 PARTS DIAGRAM

Oil Pan

E1434



2017 PARTS LIST

Oil Pan

ITEM NAME	PART NUMBER	QUANTITY
BRACKET,LH (Ref # 11057)	11057-0046	1
BRACKET,RH (Ref # 11057A)	11057-0047	1
GASKET,OIL PAN (Ref # 11061)	11061-0167	1
GASKET,12X22X2 (Ref # 11061A)	11061-0417	1
HOLDER,OIL FILTER (Ref # 13280)	13280-0134	1
FILTER,OIL(SCAVENGE) (Ref # 14043)	14043-0008	1
PAN-OIL (Ref # 49034)	49034-0552	1
PLUG,OIL DRAIN,12X15 (Ref # 92066)	92066-0767	1
BOLT,FLANGED-SMALL,6X10 (Ref # 92151)	92151-1389	1
BOLT,FLANGED,6X25 (Ref # 92154)	92154-0819	1
BOLT,FLANGED,6X14 (Ref # 92154A)	92154-1426	1
CLAMP,SPEED (Ref # 92171)	92171-0836	1
CLAMP,84MM (Ref # 92173)	92173-1008	1
CLAMP (Ref # 92173A)	92173-1693	1