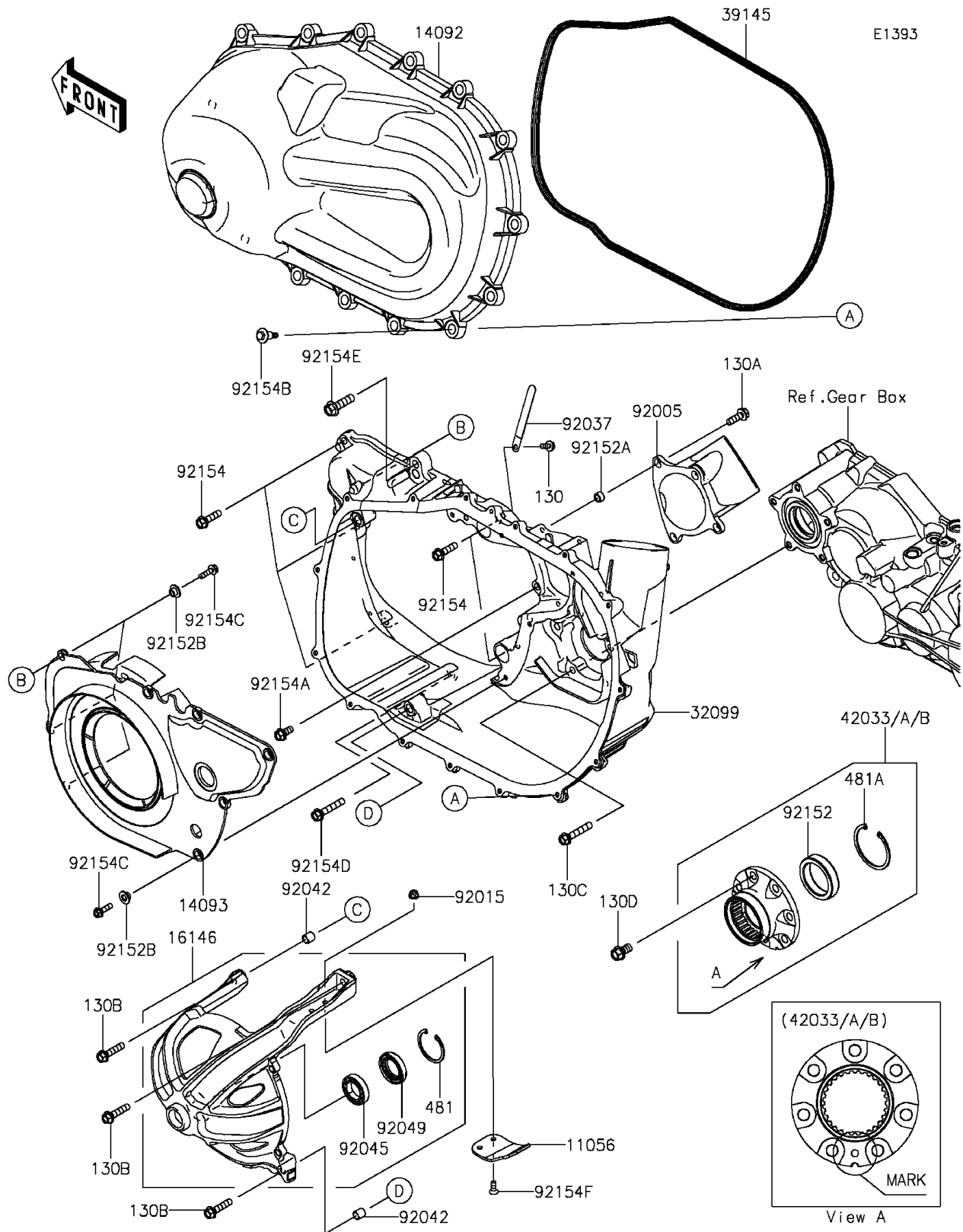


## 2016 MULE PRO-DXT™ EPS PARTS DIAGRAM

Converter Cover



## 2016 MULE PRO-DXT™ EPS PARTS LIST

Converter Cover

| ITEM NAME                                  | PART NUMBER | QUANTITY |
|--|-------------|----------|
| BRACKET,CVT BELT GUIDE (Ref # 11056)       | 11056-7883  | 1        |
| BOLT-FLANGED,6X14 (Ref # 130)              | 130BA0614   | 1        |
| BOLT-FLANGED,8X25 (Ref # 130A)             | 130BA0825   | 1        |
| BOLT-FLANGED,8X35 (Ref # 130B)             | 130BA0835   | 1        |
| BOLT-FLANGED,8X45 (Ref # 130C)             | 130BA0845   | 1        |
| BOLT-FLANGED,10X18 (Ref # 130D)            | 130CA1018   | 1        |
| COVER,CVT (Ref # 14092)                    | 14092-1202  | 1        |
| COVER (Ref # 14093)                        | 14093-0302  | 1        |
| COVER-ASSY (Ref # 16146)                   | 16146-0791  | 1        |
| CASE,CVT (Ref # 32099)                     | 32099-0771  | 1        |
| TRIM-SEAL (Ref # 39145)                    | 39145-0047  | 1        |
| COUPLING-ASSY,B MARK,WHITE (Ref # 42033)   | 42033-0582  | 1        |
| COUPLING-ASSY,A MARK,BLUE (Ref # 42033A)   | 42033-0583  | 1        |
| COUPLING-ASSY,C MARK,YELLOW (Ref # 42033B) | 42033-0584  | 1        |
| CIRCLIP-TYPE-C,45MM (Ref # 481)            | 481J4500    | 1        |
| CIRCLIP (Ref # 481A)                       | 481J6200    | 1        |
| FITTING,INTAKE (Ref # 92005)               | 92005-0762  | 1        |
| NUT,LOCK,FLANGED,6MM (Ref # 92015)         | 92015-1675  | 1        |
| CLAMP (Ref # 92037)                        | 92037-1993  | 1        |
| PIN,DOWEL,12X14 (Ref # 92042)              | 92042-031   | 1        |
| BEARING-BALL,#6905 (Ref # 92045)           | 92045-036   | 1        |
| SEAL-OIL,HTC 28X45X8 (Ref # 92049)         | 92049-0767  | 1        |
| COLLAR (Ref # 92152)                       | 92152-1822  | 1        |
| COLLAR,8.8X12.3X6.9 (Ref # 92152A)         | 92152-1853  | 1        |
| COLLAR (Ref # 92152B)                      | 92152-1931  | 1        |
| BOLT,FLANGED,8X30 (Ref # 92154)            | 92154-0850  | 1        |
| BOLT,FLANGED,8X18 (Ref # 92154A)           | 92154-1386  | 1        |
| BOLT,CVT COVER (Ref # 92154B)              | 92154-1522  | 1        |
| BOLT,FLANGED,6X22 (Ref # 92154C)           | 92154-1525  | 1        |

## 2016 MULE PRO-DXT™ EPS PARTS LIST

Converter Cover

| ITEM NAME                         | PART NUMBER | QUANTITY |
|-----------------------------------|-------------|----------|
| BOLT,FLANGED,8X45 (Ref # 92154D)  | 92154-1526  | 1        |
| BOLT,FLANGED,10X35 (Ref # 92154E) | 92154-1744  | 1        |
| BOLT,6X16 (Ref # 92154F)          | 92154-2147  | 1        |