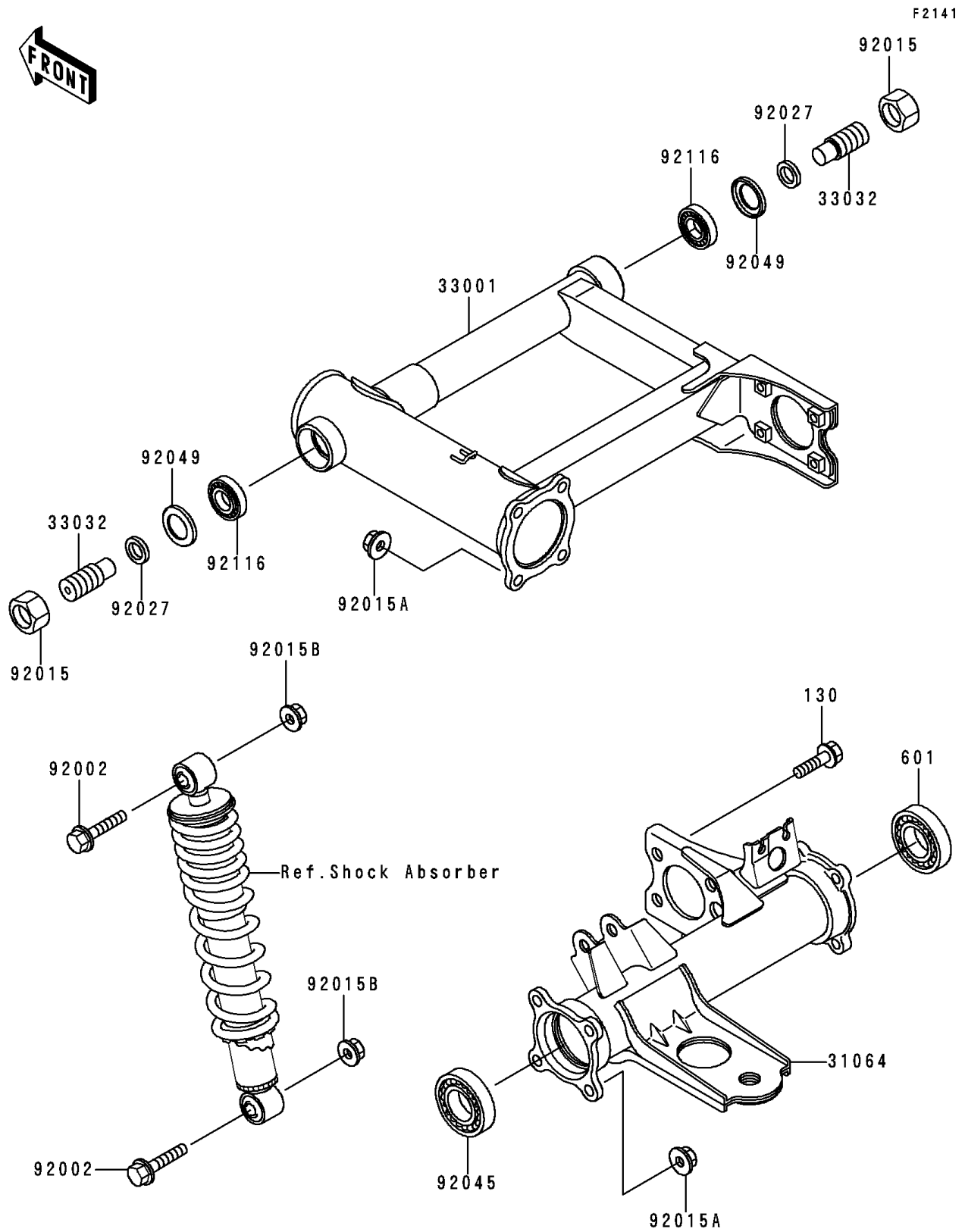


1998 Prairie® 400 PARTS DIAGRAM

Swingarm



1998 Prairie® 400 PARTS LIST

Swingarm

ITEM NAME	PART NUMBER	QUANTITY
BOLT-FLANGED,10X25 (Ref # 130)	130J1025	1
BEARING-BALL,#6008UU (Ref # 601)	601A6008UU	1
PIPE-COMP (Ref # 31064)	31064-1214	1
ARM-COMP-SWING (Ref # 33001)	33001-1555	1
SHAFT-SWING ARM (Ref # 33032)	33032-1034	1
BOLT,FLANGED,12X55 (Ref # 92002)	92002-1840	1
NUT,22MM (Ref # 92015)	92015-1229	1
NUT,FLANGED,10MM (Ref # 92015A)	92015-1335	1
COLLAR,17X26X4.5 (Ref # 92027)	92027-1394	1
BEARING-BALL (Ref # 92045)	92045-1177	1
SEAL-OIL,26406 (Ref # 92049)	92049-1030	1
BEARING-ROLLER,4T30203E1 (Ref # 92116)	92116-1001	1
NUT,LOCK,12MM (Ref # 92015B)	92015-1617	1