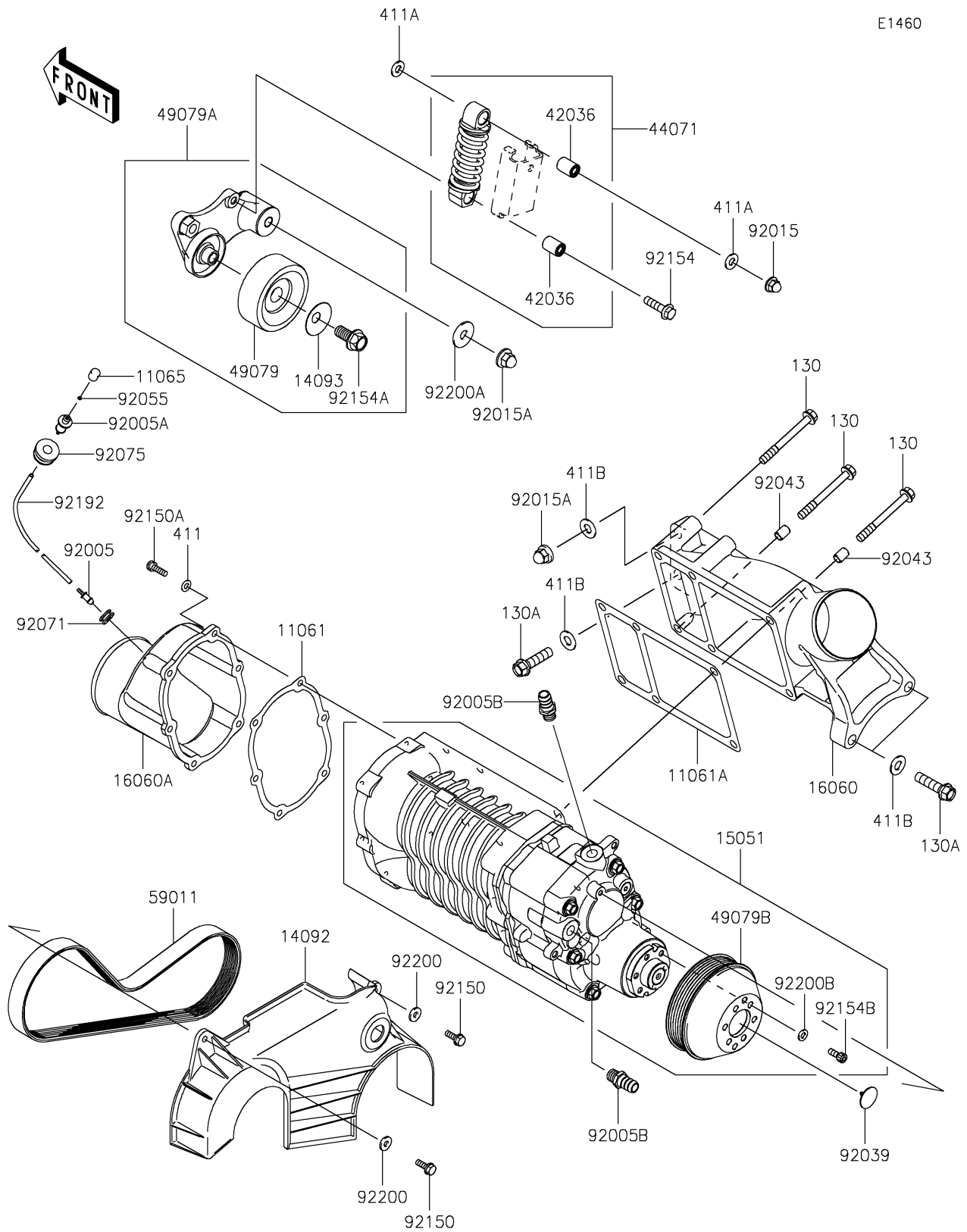


2019 Jet Ski® Ultra® 310X SE PARTS DIAGRAM

Super Charger



E1460

2019 Jet Ski® Ultra® 310X SE PARTS LIST

Super Charger

| ITEM NAME | PART NUMBER | QUANTITY |
|---|-------------|----------|
| GASKET,COMPRESSOR INLET (Ref # 11061) | 11061-0760 | 1 |
| GASKET,COMPRESSOR OUT (Ref # 11061A) | 11061-3763 | 1 |
| CAP (Ref # 11065) | 11065-0156 | 1 |
| BOLT-FLANGED,8X75 (Ref # 130) | 130CD0875 | 1 |
| BOLT-FLANGED,10X40 (Ref # 130A) | 130CD1040 | 1 |
| COVER,BELT (Ref # 14092) | 14092-0838 | 1 |
| COVER (Ref # 14093) | 14093-0222 | 1 |
| COMPRESSOR-AIR,SUPER CHARGER (Ref # 15051) | 15051-3704 | 1 |
| PIPE-INTAKE,COMPRESSOR OUT (Ref # 16060) | 16060-0028 | 1 |
| PIPE-INTAKE,COMPRESSOR INLET (Ref # 16060A) | 16060-0738 | 1 |
| WASHER-PLAIN,6MM (Ref # 411) | 411S0600 | 1 |
| WASHER-PLAIN,8MM (Ref # 411A) | 411S0800 | 1 |
| WASHER-PLAIN,10MM (Ref # 411B) | 411S1000 | 1 |
| SLEEVE (Ref # 42036) | 42036-0713 | 1 |
| DAMPER-ASSY (Ref # 44071) | 44071-0776 | 1 |
| PULLEY-BELT (Ref # 49079) | 49079-0025 | 1 |
| PULLEY-BELT (Ref # 49079A) | 49079-0028 | 1 |
| PULLEY-BELT (Ref # 49079B) | 49079-3704 | 1 |
| BELT,6PK845 (Ref # 59011) | 59011-0032 | 1 |
| FITTING (Ref # 92005) | 92005-0722 | 1 |
| FITTING (Ref # 92005A) | 92005-0723 | 1 |
| FITTING (Ref # 92005B) | 92005-3714 | 1 |
| NUT,CAP,8MM (Ref # 92015) | 92015-1371 | 1 |
| NUT,10MM (Ref # 92015A) | 92015-1649 | 1 |
| RIVET (Ref # 92039) | 92039-3795 | 1 |
| PIN,8.2X10.5X14 (Ref # 92043) | 92043-3764 | 1 |
| RING-O,2X1 (Ref # 92055) | 92055-0718 | 1 |
| GROMMET (Ref # 92071) | 92071-3733 | 1 |
| DAMPER,FUEL TANK (Ref # 92075) | 92075-1424 | 1 |

2019 Jet Ski® Ultra® 310X SE PARTS LIST

Super Charger

| ITEM NAME | PART NUMBER | QUANTITY |
|----------------------------------|-------------|----------|
| BOLT,6X18 (Ref # 92150) | 92150-3729 | 1 |
| BOLT,SOCKET,6X18 (Ref # 92150A) | 92150-3775 | 1 |
| BOLT (Ref # 92154) | 92154-0865 | 1 |
| BOLT (Ref # 92154A) | 92154-1626 | 1 |
| BOLT,SOCKET,6X16 (Ref # 92154B) | 92154-3714 | 1 |
| TUBE,3X4X600 (Ref # 92192) | 92192-1004 | 1 |
| WASHER,6.5X16X2.0 (Ref # 92200) | 92200-1543 | 1 |
| WASHER (Ref # 92200A) | 92200-3762 | 1 |
| WASHER,6.5X13X1.5 (Ref # 92200B) | 92200-3814 | 1 |