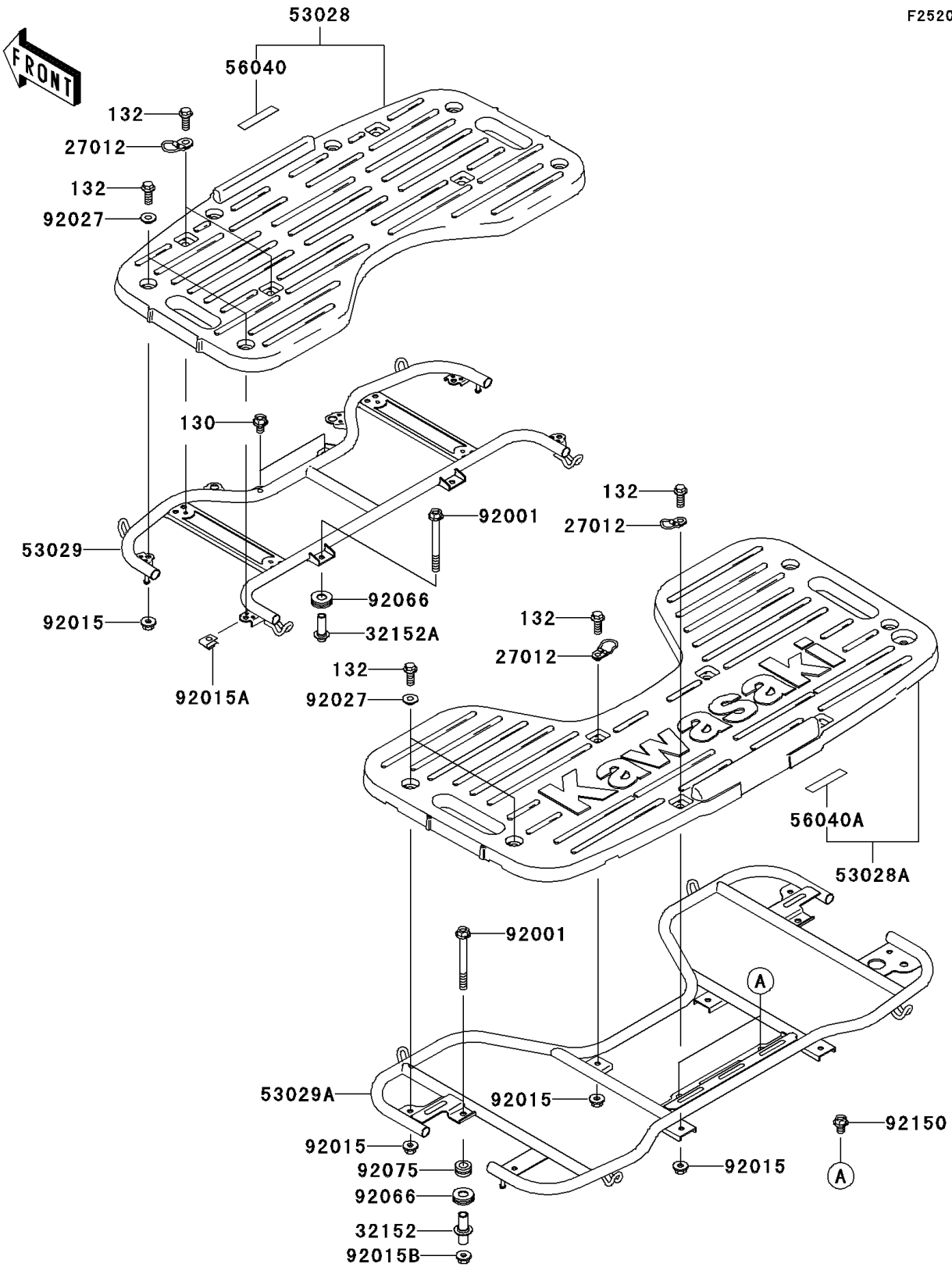


1999 Prairie® 300 4x4 PARTS DIAGRAM

Carrier(s)

F2520



1999 Prairie® 300 4x4 PARTS LIST

Carrier(s)

| ITEM NAME | PART NUMBER | QUANTITY |
|---|---------------|----------|
| BOLT-FLANGED,8X12 (Ref # 130) | 130J0812 | 1 |
| BOLT-FLANGED-SMALL,8X20 (Ref # 132) | 132J0820 | 1 |
| HOOK (Ref # 27012) | 27012-1577 | 1 |
| PIPE,REAR CARRIER (Ref # 32152) | 32152-1066 | 1 |
| PIPE,FRONT CARRIER (Ref # 32152A) | 32152-1067 | 1 |
| CARRIER-ASSY,FR,F.BLACK (Ref # 53028) | 53028-1093-6Z | 1 |
| CARRIER-ASSY,RR,F.BLACK (Ref # 53028A) | 53028-1094-6Z | 1 |
| CARRIER,FR (Ref # 53029) | 53029-1197 | 1 |
| CARRIER,RR (Ref # 53029A) | 53029-1198 | 1 |
| LABEL-WARNING,MAXIMUM LOAD (Ref # 56040) | 56040-1321 | 1 |
| LABEL-WARNING,MAXIMUM LOAD (Ref # 56040A) | 56040-1322 | 1 |
| BOLT,FLANGED,8X75,BLACK (Ref # 92001) | 92001-1642 | 1 |
| NUT,FLANGED,8MM,BLACK (Ref # 92015) | 92015-1183 | 1 |
| NUT,CLIP,8MM (Ref # 92015A) | 92015-1691 | 1 |
| NUT,FLANGED,LOCK,8MM (Ref # 92015B) | 92015-1696 | 1 |
| COLLAR (Ref # 92027) | 92027-1908 | 1 |
| PLUG (Ref # 92066) | 92066-1438 | 1 |
| DAMPER (Ref # 92075) | 92075-1086 | 1 |
| BOLT,8X12 (Ref # 92150) | 92150-1780 | 1 |