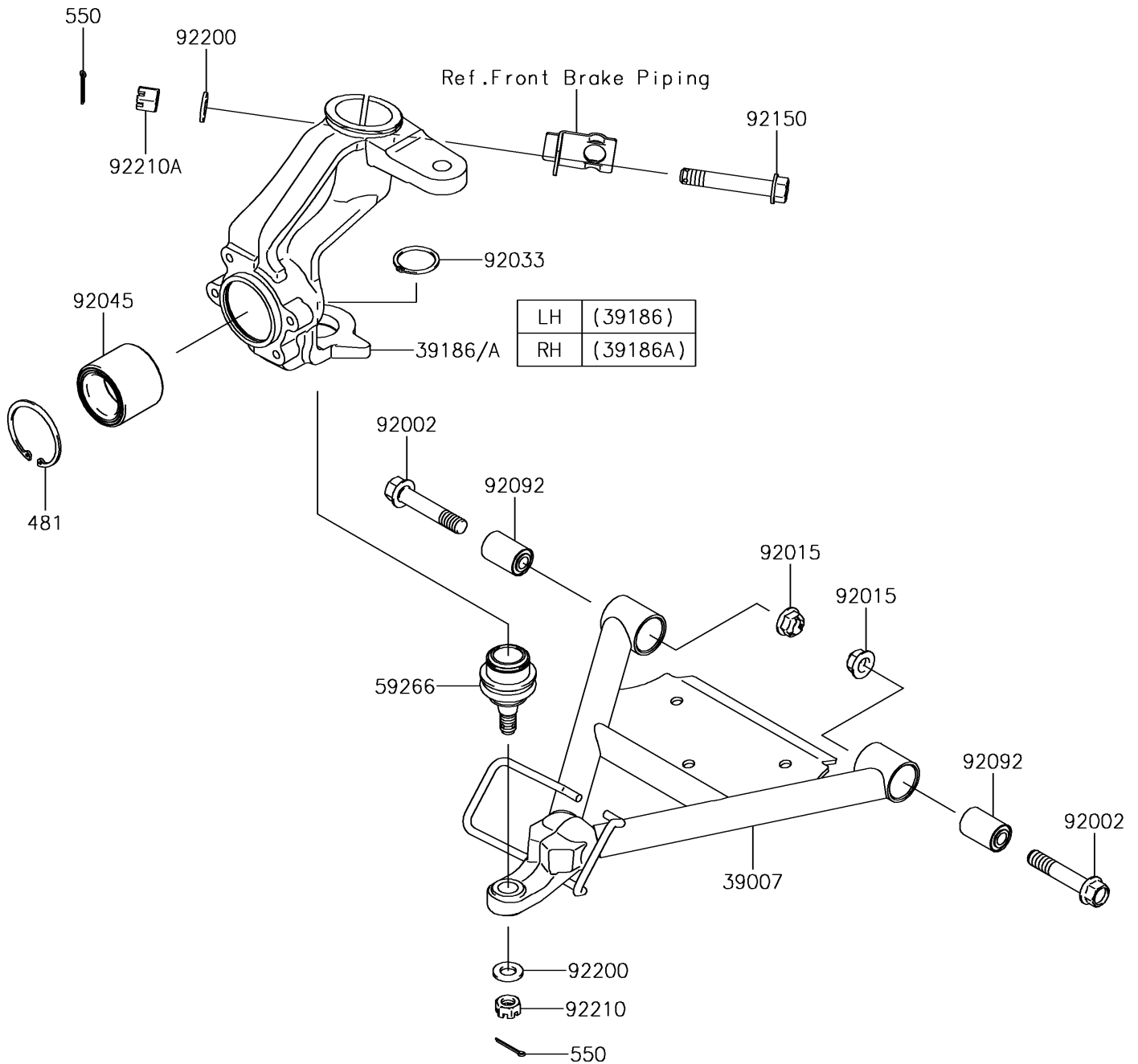


## 2017 MULE SX™ 4x4 SE PARTS DIAGRAM

Suspension

F2150



## 2017 MULE SX™ 4x4 SE PARTS LIST

### Suspension

ITEM NAME	PART NUMBER	QUANTITY
ARM-SUSP (Ref # 39007)	39007-0397	1
KNUCKLE,LH (Ref # 39186)	39186-0314	1
KNUCKLE,RH (Ref # 39186A)	39186-0315	1
CIRCLIP-TYPE-C,52MM (Ref # 481)	481J5200	1
PIN-COTTER,3.0X25 (Ref # 550)	550AA3025	1
JOINT-BALL (Ref # 59266)	59266-1080	1
BOLT,ROD,12MM (Ref # 92002)	92002-1757	1
NUT,12MM (Ref # 92015)	92015-1706	1
RING-SNAP,C-TYPE,32MM (Ref # 92033)	92033-1262	1
BEARING-BALL,DAC2552W-7CS31 (Ref # 92045)	92045-0028	1
BUSHING-RUBBER (Ref # 92092)	92092-005	1
BOLT,FLANGED,12X72 (Ref # 92150)	92150-1356	1
WASHER,12.3X23X2.3 (Ref # 92200)	92200-1004	1
NUT,CASTLE,12MM (Ref # 92210)	92210-0395	1
NUT,12MM (Ref # 92210A)	92210-7501	1