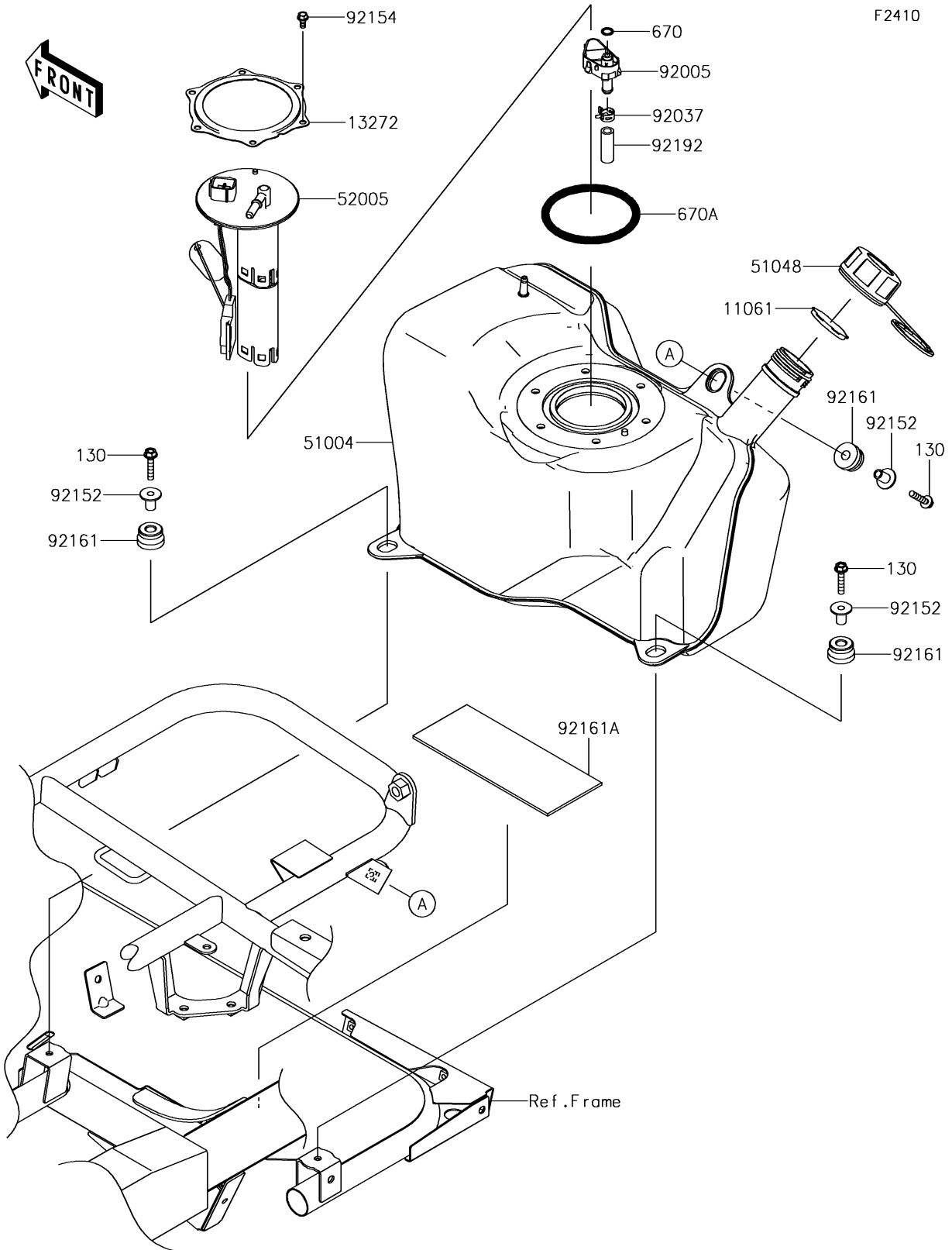


2017 MULE SX™ 4x4 XC CAMO PARTS DIAGRAM

Fuel Tank



2017 MULE SX™ 4x4 XC CAMO PARTS LIST

Fuel Tank

ITEM NAME	PART NUMBER	QUANTITY
GASKET,FUEL TANK CAP (Ref # 11061)	11061-0395	1
BOLT-FLANGED,6X30 (Ref # 130)	130BA0630	1
PLATE (Ref # 13272)	13272-1398	1
TANK-FUEL (Ref # 51004)	51004-0010	1
CAP-ASSY-TANK,FUEL (Ref # 51048)	51048-0026	1
GAUGE,FUEL (Ref # 52005)	52005-0757	1
O RING,9MM (Ref # 670)	670E1509	1
O RING (Ref # 670A)	670E5090	1
FITTING (Ref # 92005)	92005-0813	1
CLAMP,HOSE CLIP (Ref # 92037)	92037-1181	1
COLLAR,6.8X10X18.1 (Ref # 92152)	92152-1867	1
BOLT,FUEL PUMP (Ref # 92154)	92154-1326	1
DAMPER,10X28X17 (Ref # 92161)	92161-1614	1
DAMPER,80X200X3.175 (Ref # 92161A)	92161-1645	1
TUBE,8X13X37 (Ref # 92192)	92192-1622	1