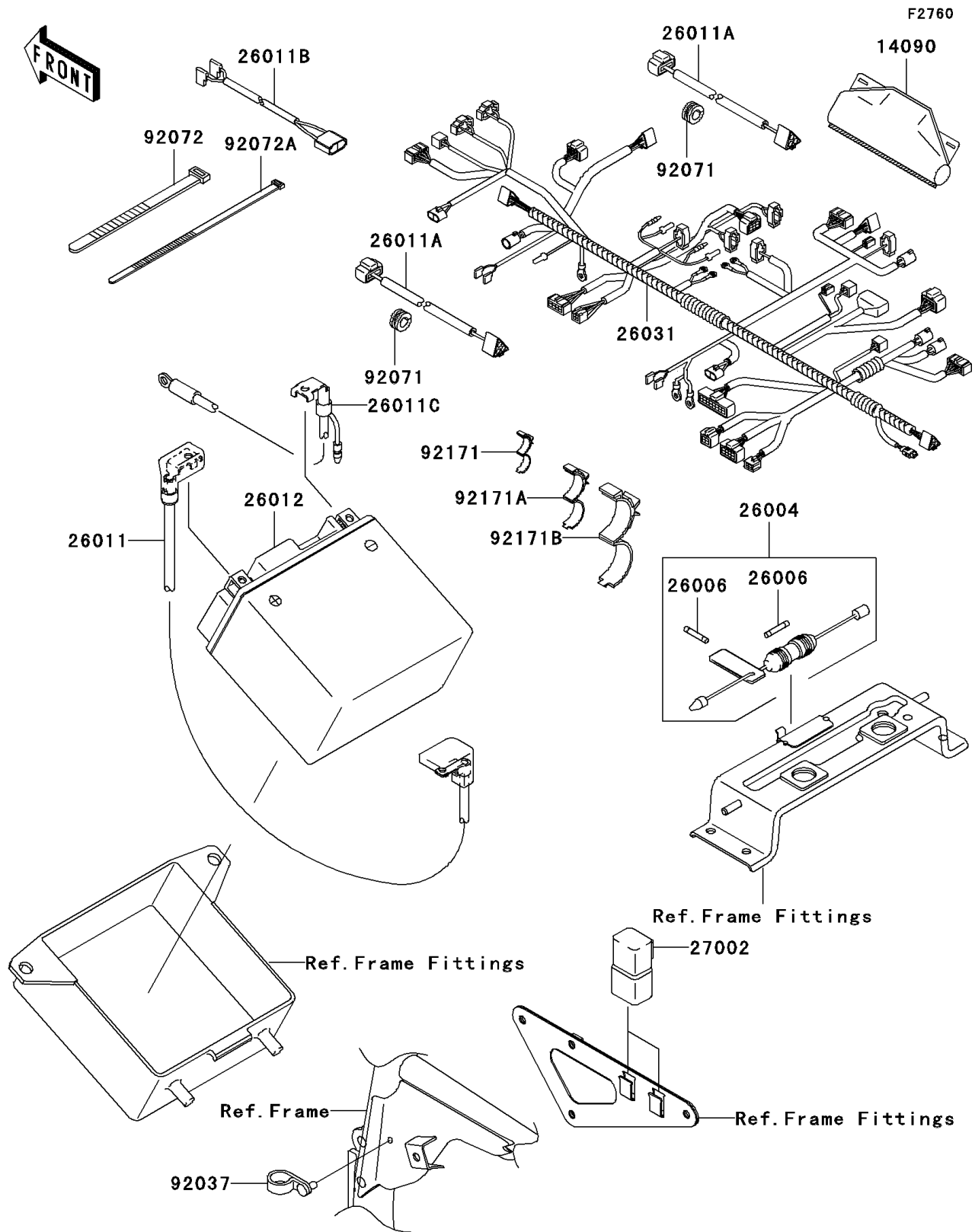


2004 KFX[®]700 PARTS DIAGRAM

Chassis Electrical Equipment



2004 KFX®700 PARTS LIST

Chassis Electrical Equipment

ITEM NAME	PART NUMBER	QUANTITY
COVER,COUPLER (Ref # 14090)	14090-1331	1
FUSE-ASSY (Ref # 26004)	26004-7501	1
FUSE,20A,L=32 (Ref # 26006)	26006-1064	1
WIRE-LEAD,BATTERY(+) (Ref # 26011)	26011-0009	1
WIRE-LEAD,HEAD LAMP (Ref # 26011A)	26011-1741	1
WIRE-LEAD,FRONT BRAKE (Ref # 26011B)	26011-1802	1
WIRE-LEAD,BATTERY(-) (Ref # 26011C)	26011-1847	1
BATTERY,MF,KMX14-BS,12V 12AH (Ref # 26012)	26012-1414	1
HARNESS,MAIN (Ref # 26031)	26031-0011	1
RELAY-ASSY (Ref # 27002)	27002-1086	1
CLAMP,SPEED,L=58 (Ref # 92037)	92037-1163	1
GROMMET (Ref # 92071)	92071-1128	1
BAND,L=123 (Ref # 92072)	92072-030	1
BAND,L=188 (Ref # 92072A)	92072-1239	1
CLAMP,DIA=10 (Ref # 92171)	92171-1423	1
CLAMP,DIA=15 (Ref # 92171A)	92171-1424	1
CLAMP,DIA=25 (Ref # 92171B)	92171-1559	1