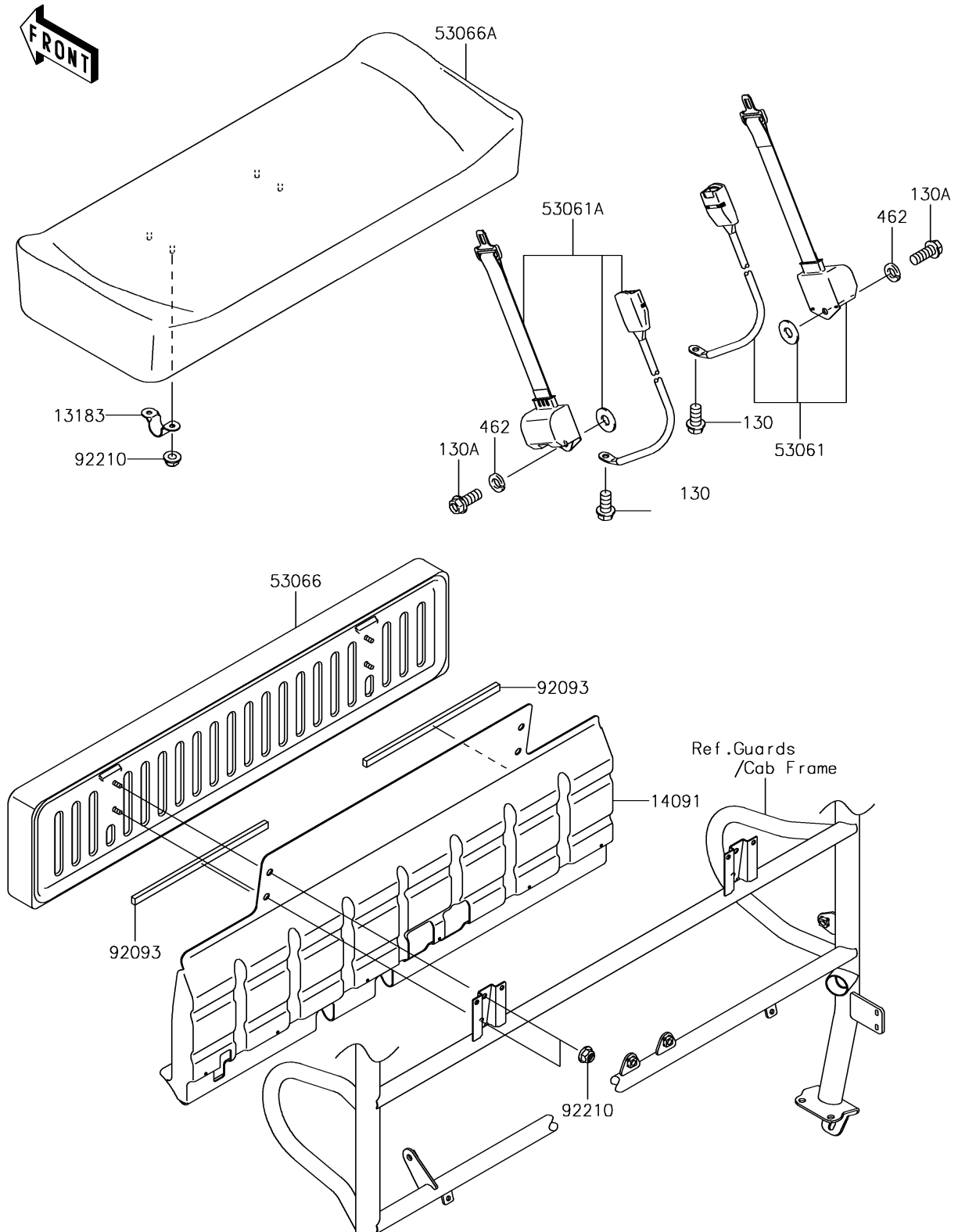


2016 Mule™ 4010 4x4 SE PARTS DIAGRAM

Seat

F2510



2016 Mule™ 4010 4x4 SE PARTS LIST

Seat

| ITEM NAME | PART NUMBER | QUANTITY |
|---------------------------------------|---------------|----------|
| BOLT-FLANGED,12X20 (Ref # 130) | 130BA1220 | 1 |
| BOLT-FLANGED,12X25 (Ref # 130A) | 130BB1225 | 1 |
| PLATE,SEAT (Ref # 13183) | 13183-1400 | 1 |
| COVER,SEAT BACK (Ref # 14091) | 14091-0529 | 1 |
| WASHER-SPRING,12MM (Ref # 462) | 462DB1200 | 1 |
| BELT-SEAT,FR,RH (Ref # 53061) | 53061-0315 | 1 |
| BELT-SEAT,FR,LH (Ref # 53061A) | 53061-0316 | 1 |
| SEAT-ASSY,BACK,BLACK (Ref # 53066) | 53066-0241-MA | 1 |
| SEAT-ASSY,FR,LWR,BLACK (Ref # 53066A) | 53066-0274-MA | 1 |
| SEAL,L=408 (Ref # 92093) | 92093-0024 | 1 |
| NUT,FLANGED,LOCK,8MM (Ref # 92210) | 92210-0005 | 1 |