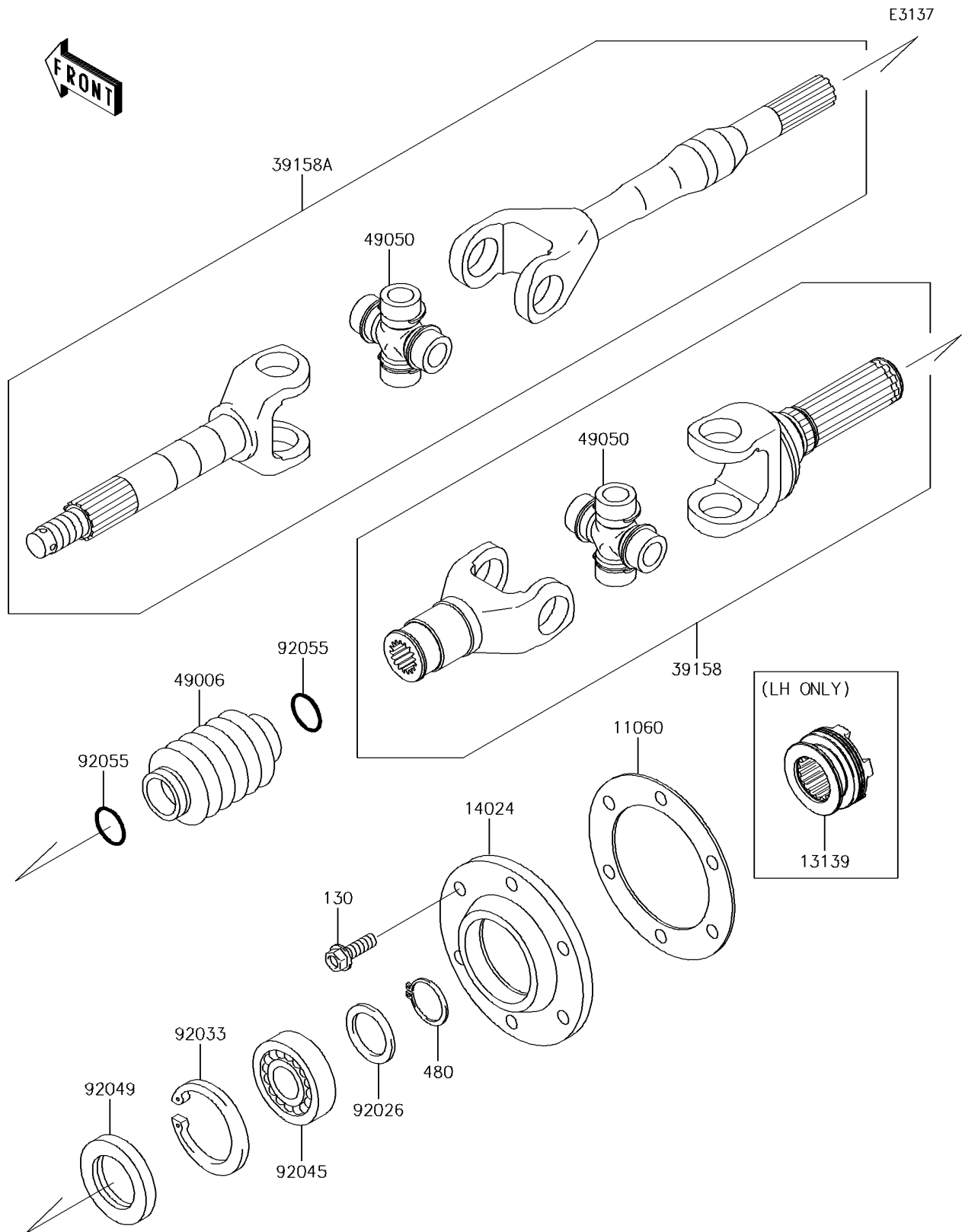


2016 Mule™ 4010 4x4 SE PARTS DIAGRAM

Drive Shaft-Rear



2016 Mule™ 4010 4x4 SE PARTS LIST

Drive Shaft-Rear

| ITEM NAME | PART NUMBER | QUANTITY |
|---------------------------------------|-------------|----------|
| GASKET,DRIVESHAFT COVER (Ref # 11060) | 11060-1251 | 1 |
| BOLT-FLANGED,8X25 (Ref # 130) | 130BA0825 | 1 |
| SHIFTER (Ref # 13139) | 13139-0009 | 1 |
| COVER,DRIVESHAFT (Ref # 14024) | 14024-1560 | 1 |
| SHAFT-ASSY-DRIVE,INSIDE (Ref # 39158) | 39158-1119 | 1 |
| SHAFT-ASSY-DRIVE (Ref # 39158A) | 39158-1120 | 1 |
| CIRCLIP-TYPE-C,28MM (Ref # 480) | 480J2800 | 1 |
| BOOT,DRIVE SHAFT (Ref # 49006) | 49006-1257 | 1 |
| SPIDER (Ref # 49050) | 49050-0034 | 1 |
| SPACER,28.1X38X2.6 (Ref # 92026) | 92026-1489 | 1 |
| RING-SNAP,55MM (Ref # 92033) | 92033-1274 | 1 |
| BEARING-BALL,6006 (Ref # 92045) | 92045-1208 | 1 |
| SEAL-OIL,TC35X55X8 (Ref # 92049) | 92049-1298 | 1 |
| RING-O,19.5X3.0 (Ref # 92055) | 92055-1451 | 1 |