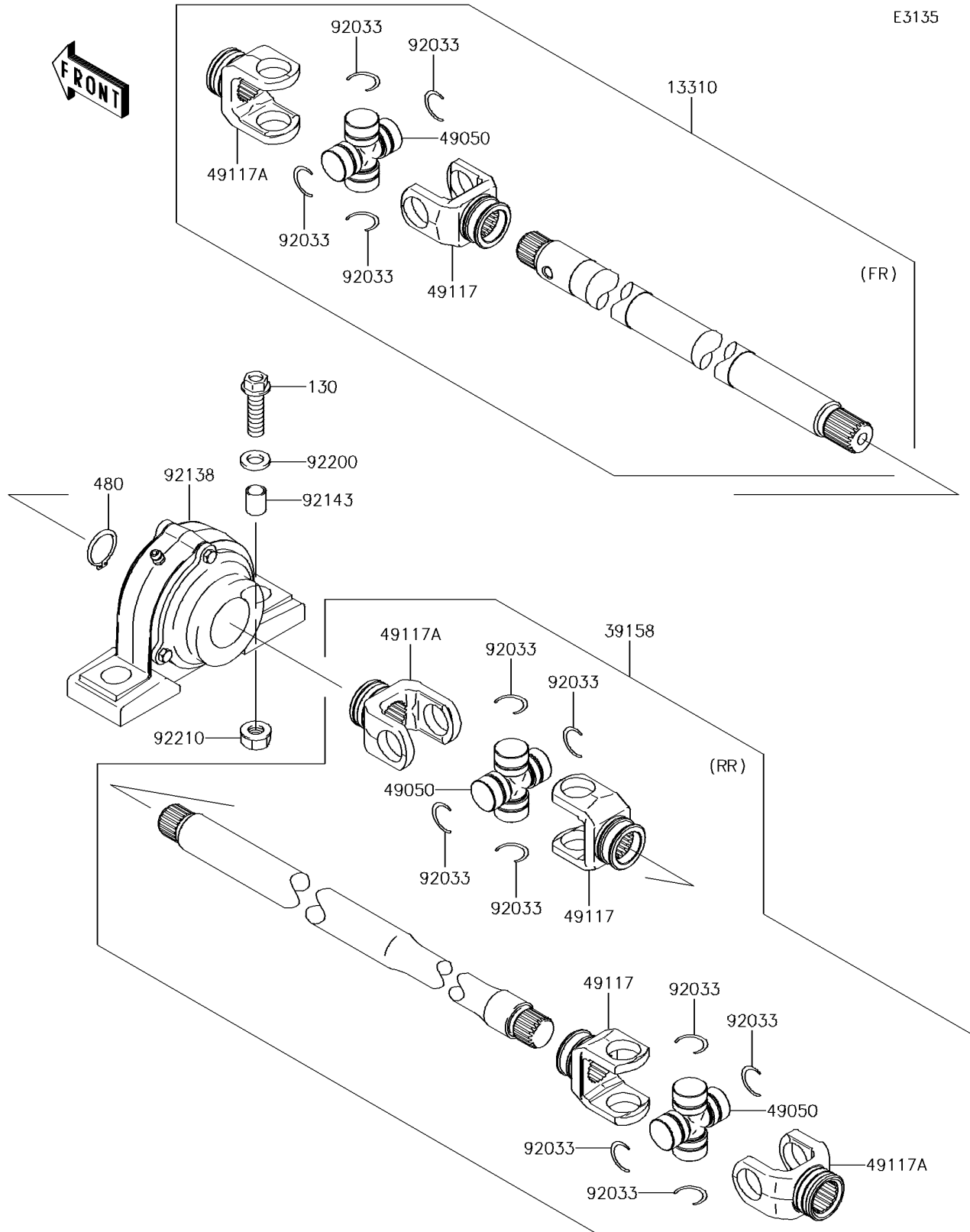


## 2016 Mule™ 4010 4x4 SE PARTS DIAGRAM

Drive Shaft-Propeller

E3135



## 2016 Mule™ 4010 4x4 SE PARTS LIST

Drive Shaft-Propeller

ITEM NAME	PART NUMBER	QUANTITY
BOLT-FLANGED,10X35 (Ref # 130)	130BA1035	1
SHAFT-ASSY (Ref # 13310)	13310-0572	1
SHAFT-ASSY-DRIVE (Ref # 39158)	39158-0304	1
CIRCLIP-TYPE-C,25MM (Ref # 480)	480J2500	1
SPIDER (Ref # 49050)	49050-1075	1
YOKE,DRIVE (Ref # 49117)	49117-0573	1
YOKE,DRIVE (Ref # 49117A)	49117-0574	1
RING-SNAP (Ref # 92033)	92033-1030	1
BEARING-COMP (Ref # 92138)	92138-1052	1
COLLAR,10.3X12.7X15 (Ref # 92143)	92143-1634	1
WASHER,10.5X19X2.3 (Ref # 92200)	92200-1042	1
NUT,LOCK,10MM (Ref # 92210)	92210-1204	1