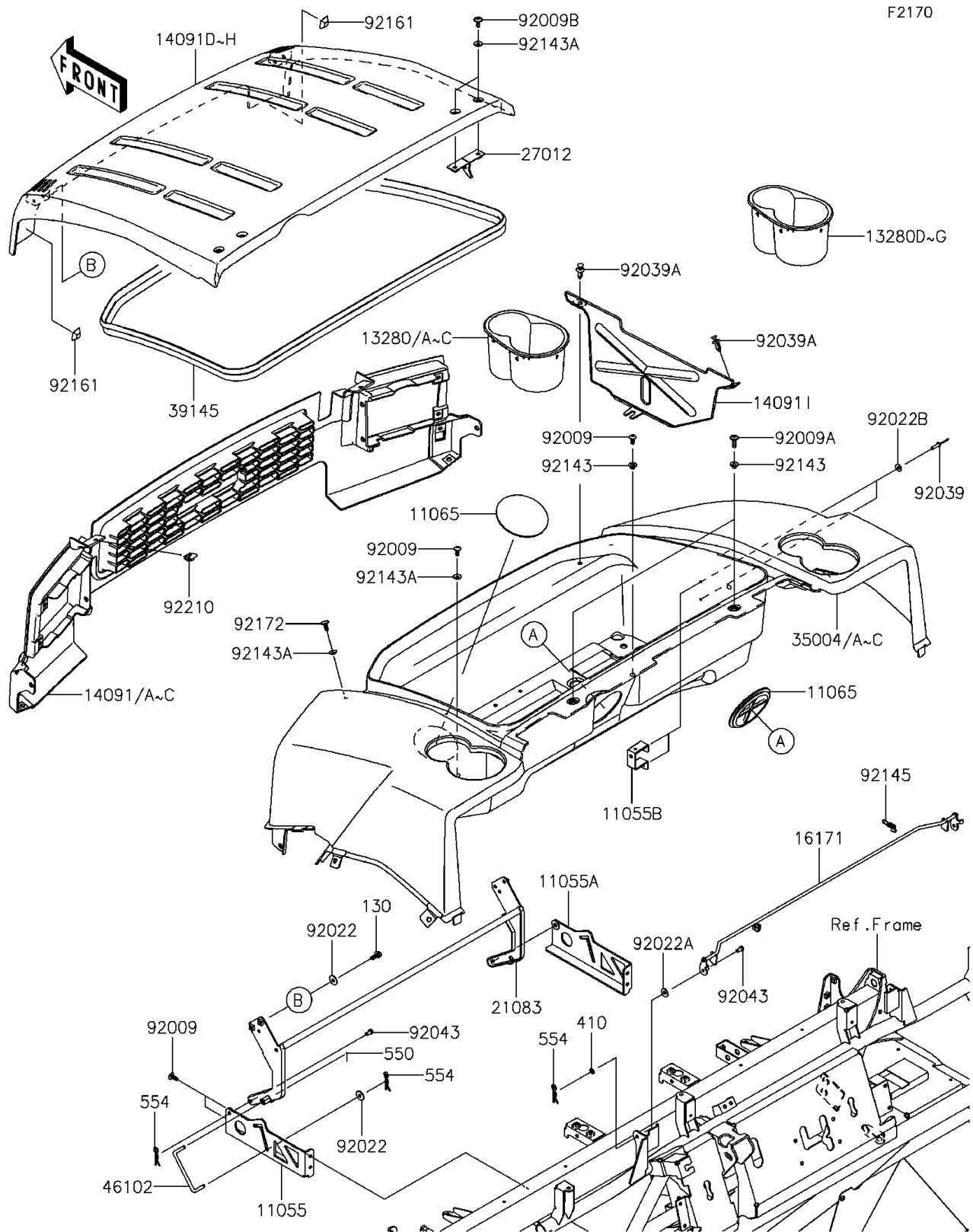


2014 MULE™ 4010 Trans4x4® PARTS DIAGRAM

Fenders



2014 MULE™ 4010 Trans4x4® PARTS LIST

Fenders

ITEM NAME	PART NUMBER	QUANTITY
BRACKET,HINGE,LH (Ref # 11055)	11055-0037	1
BRACKET,HINGE,RH (Ref # 11055A)	11055-0038	1
BRACKET,RESERVOIR TANK (Ref # 11055B)	11055-0124	1
CAP,F.BLACK (Ref # 11065)	11065-1053-6Z	1
HOLDER,CUP HOLDER,LH,W.GREEN (Ref # 13280A)	13280-0265-286	1
HOLDER,CUP HOLDER,RH,W.GREEN (Ref # 13280E)	13280-0266-286	1
COVER,FRONT GRILL,W.GREEN (Ref # 14091A)	14091-0818-286	1
COVER,FRONT FENDER,W.GREEN (Ref # 14091E)	14091-0829-286	1
COVER,RESERVOIR TANK (Ref # 14091I)	14091-1715	1
LINK (Ref # 16171)	16171-0015	1
ARM,HOOD (Ref # 21083)	21083-0051	1
HOOK,HOOD (Ref # 27012)	27012-0119	1
FENDER-FRONT,CNT,W.GREEN (Ref # 35004A)	35004-0096-286	1
BOLT-FLANGED,6X16 (Ref # 130)	130BA0616	1
TRIM-SEAL,L=2350 (Ref # 39145)	39145-0032	1
WASHER-PLAIN-SMALL (Ref # 410)	410AA0600	1
ROD (Ref # 46102)	46102-0103	1
PIN-COTTER,1.6X15 (Ref # 550)	550AA1615	1
PIN-SNAP (Ref # 554)	554DA0600	1
SCREW,TAPPING,6X16 (Ref # 92009)	92009-1166	1
SCREW,6X22,BLACK (Ref # 92009A)	92009-1256	1
SCREW,6X16 (Ref # 92009B)	92009-1621	1
WASHER,6.5X20X1.6,BLACK (Ref # 92022)	92022-1346	1
WASHER,7X18X1.2 (Ref # 92022A)	92022-1545	1
WASHER,4.3X12.5X1 (Ref # 92022B)	92022-1949	1
RIVET (Ref # 92039)	92039-1150	1
RIVET (Ref # 92039A)	92039-1229	1
PIN,6X9 (Ref # 92043)	92043-1626	1
COLLAR (Ref # 92143)	92143-1057	1

2014 MULE™ 4010 Trans4x4® PARTS LIST

Fenders

ITEM NAME	PART NUMBER	QUANTITY
COLLAR (Ref # 92143A)	92143-1087	1
SPRING (Ref # 92145)	92145-0215	1
DAMPER,FR HOOD (Ref # 92161)	92161-0790	1
SCREW,TAPPING,6X20 (Ref # 92172)	92172-0488	1
NUT,LEAF SPRING,6MM (Ref # 92210)	92210-0624	1