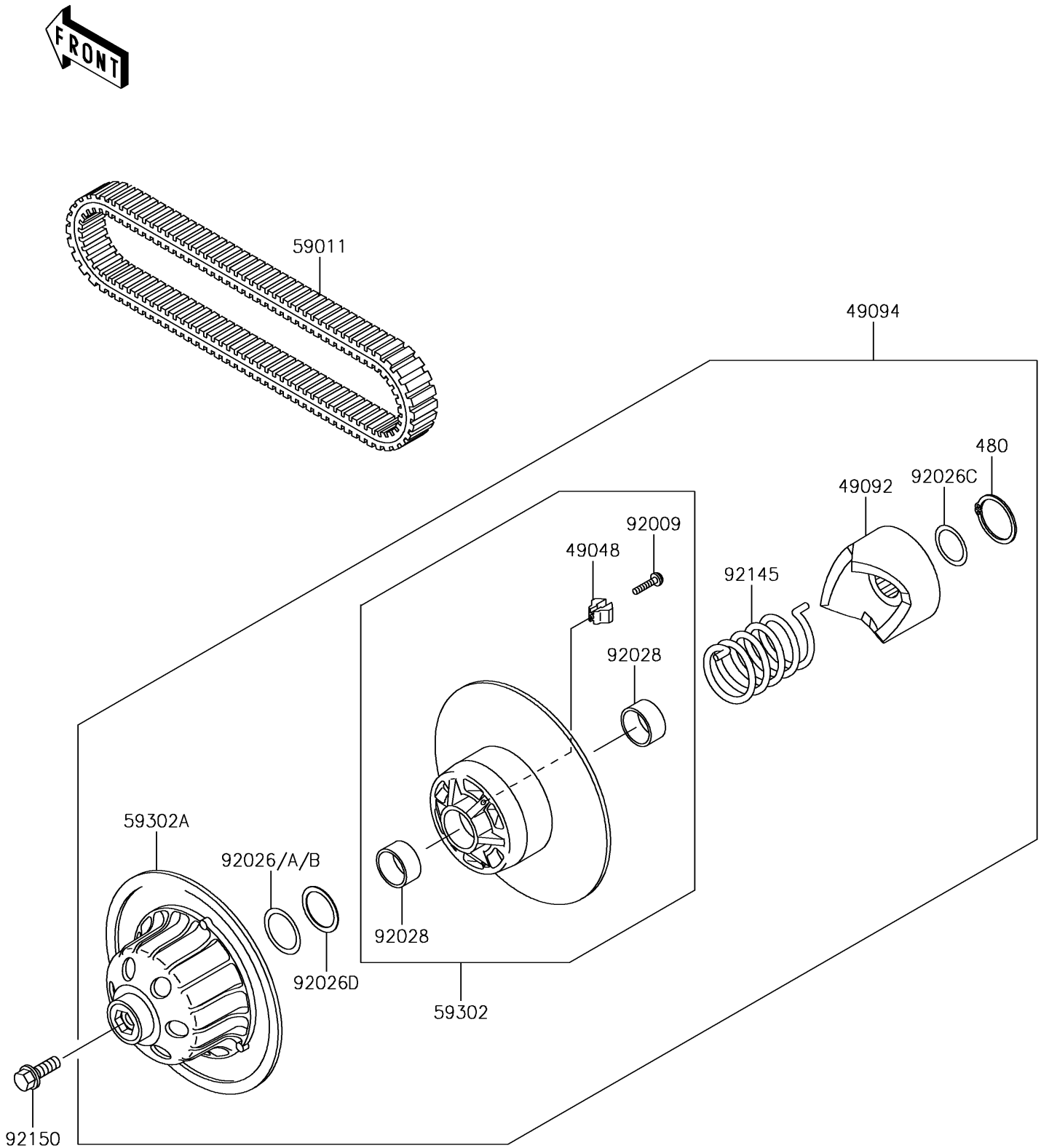


## 2018 MULE™ 4010 Trans4x4® FT PARTS DIAGRAM

Driven Converter/Drive Belt

E1392



## 2018 MULE™ 4010 Trans4x4® FT PARTS LIST

Driven Converter/Drive Belt

| ITEM NAME                           | PART NUMBER | QUANTITY |
|-------------------------------------|-------------|----------|
| CIRCLIP-TYPE-C,34MM (Ref # 480)     | 480J3400    | 1        |
| SHOE (Ref # 49048)                  | 49048-1060  | 1        |
| RAMP (Ref # 49092)                  | 49092-1068  | 1        |
| CONVERTER-ASSY-DRIVEN (Ref # 49094) | 49094-0045  | 1        |
| BELT,CONVERTER (Ref # 59011)        | 59011-1077  | 1        |
| SHEAVE-COMP,MOVABLE (Ref # 59302)   | 59302-0031  | 1        |
| SHEAVE-COMP (Ref # 59302A)          | 59302-0032  | 1        |
| SCREW,SHOE (Ref # 92009)            | 92009-1849  | 1        |
| SPACER,39X50X0.50 (Ref # 92026)     | 92026-1507  | 1        |
| SPACER,39X50X0.60 (Ref # 92026A)    | 92026-1508  | 1        |
| SPACER,39X50X0.80 (Ref # 92026B)    | 92026-1510  | 1        |
| SPACER,34X44X0.80 (Ref # 92026C)    | 92026-1521  | 1        |
| SPACER,39X49.5X1.0 (Ref # 92026D)   | 92026-1603  | 1        |
| BUSHING (Ref # 92028)               | 92028-1864  | 1        |
| SPRING (Ref # 92145)                | 92145-1404  | 1        |
| BOLT,12X35 (Ref # 92150)            | 92150-1009  | 1        |