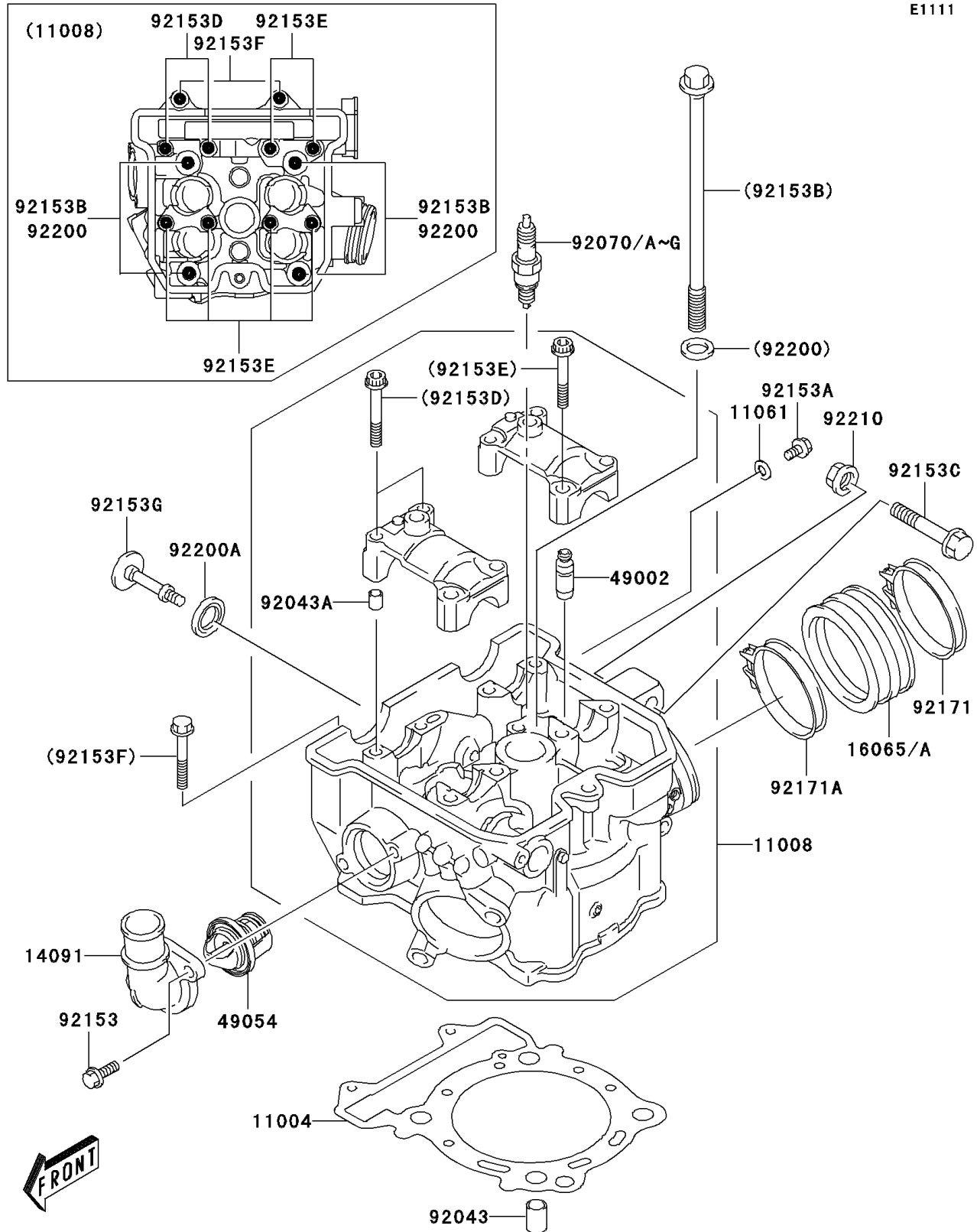


2003 KFX®400 PARTS DIAGRAM

Cylinder Head

E1111



2003 KFX®400 PARTS LIST

Cylinder Head

ITEM NAME	PART NUMBER	QUANTITY
GASKET-HEAD (Ref # 11004)	11004-S006	1
HEAD-COMP-CYLINDER (Ref # 11008)	11008-S004	1
GASKET,5.8X13X1.2 (Ref # 11061)	11061-S001	1
COVER,THERMOSTAT (Ref # 14091)	14091-S081	1
HOLDER-CARBURETOR (Ref # 16065)	16065-S007	1
GUIDE-VALVE (Ref # 49002)	49002-S003	1
THERMOSTAT,WATER (Ref # 49054)	49054-S005	1
PIN (Ref # 92043)	92043-S003	1
PIN,6.2X8X11 (Ref # 92043A)	92043-S004	1
PLUG-SPARK,CR8E(NGK) (Ref # 92070)	92070-S001	1
PLUG-SPARK,U24ESR-N(ND) (Ref # 92070A)	92070-S002	1
PLUG-SPARK,CR9E(NGK) (Ref # 92070B)	92070-S003	1
PLUG-SPARK,U27ESR-N(ND) (Ref # 92070C)	92070-S004	1
PLUG-SPARK,U22ESR-N(ND) (Ref # 92070D)	92070-S005	1
PLUG-SPARK,CR7E(NGK) (Ref # 92070E)	92070-S006	1
PLUG-SPARK,CR6E(NGK) (Ref # 92070F)	92070-S020	1
PLUG-SPARK,U20ESR(DN) (Ref # 92070G)	92070-S021	1
BOLT (Ref # 92153)	92153-S001	1
BOLT (Ref # 92153A)	92153-S010	1
BOLT,10X175 (Ref # 92153B)	92153-S036	1
BOLT (Ref # 92153C)	92153-S092	1
BOLT (Ref # 92153D)	92153-S214	1
BOLT (Ref # 92153E)	92153-S253	1
BOLT,6X39 (Ref # 92153F)	92153-S263	1
BOLT,CYLINDER HEAD (Ref # 92153G)	92153-S290	1
CLAMP (Ref # 92171)	92171-S030	1
CLAMP (Ref # 92171A)	92171-S090	1
WASHER,10.5X19X2.0 (Ref # 92200)	92200-S009	1
WASHER (Ref # 92200A)	92200-S150	1

2003 KFX®400 PARTS LIST

Cylinder Head

ITEM NAME	PART NUMBER	QUANTITY
NUT (Ref # 92210)	92210-S015	1