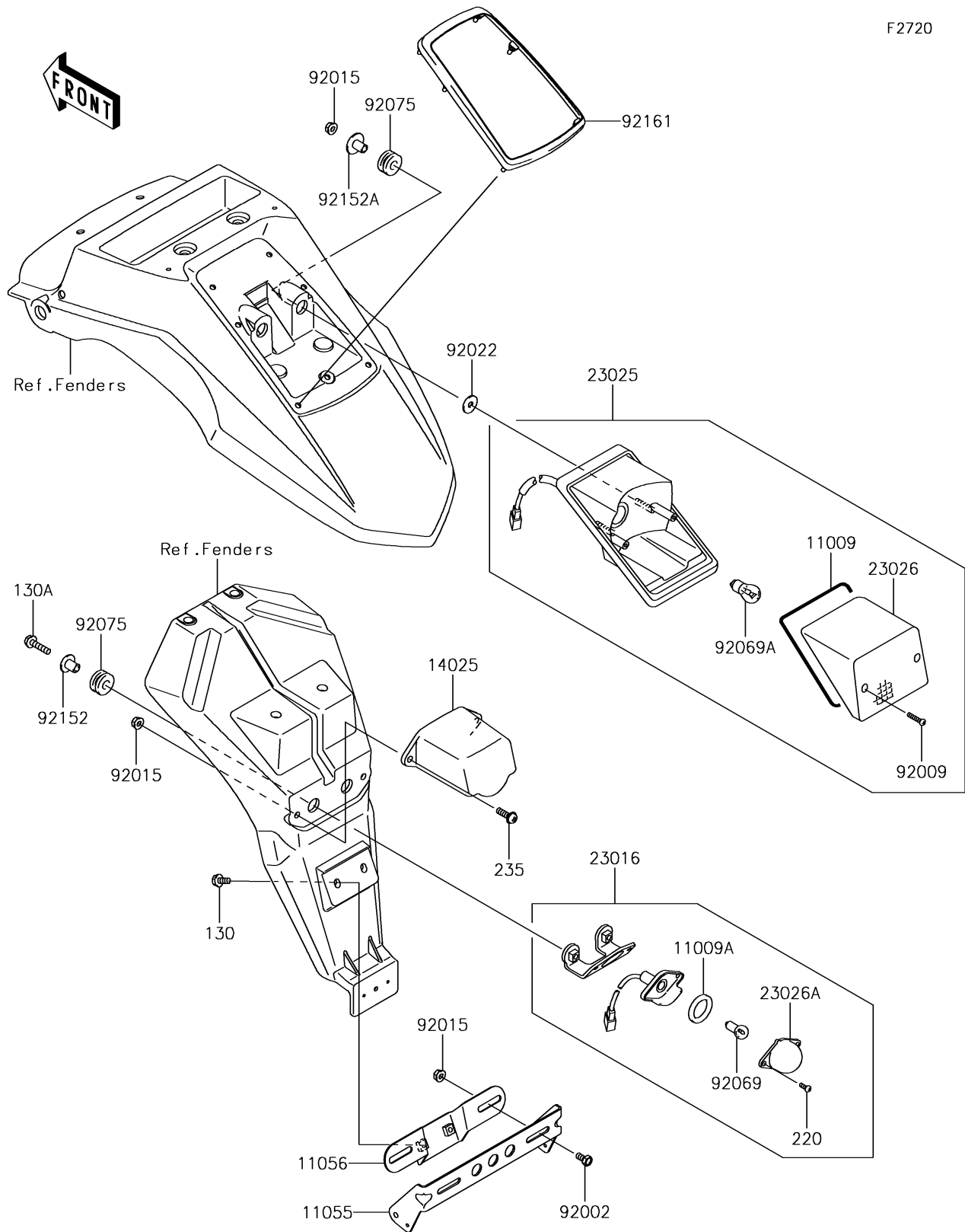


2018 KLR™650 PARTS DIAGRAM

Taillight(s)



2018 KLR™650 PARTS LIST

Taillight(s)

| ITEM NAME | PART NUMBER | QUANTITY |
|--|-------------|----------|
| GASKET,TAIL LAMP (Ref # 11009) | 11009-1371 | 1 |
| GASKET,LICENSE PLATE LAMP (Ref # 11009A) | 11009-1372 | 1 |
| BRACKET,REFLECTOR (Ref # 11055) | 11055-1092 | 1 |
| BRACKET,LICENSE PLATE (Ref # 11056) | 11056-0139 | 1 |
| BOLT-FLANGED,6X12 (Ref # 130) | 130BB0612 | 1 |
| BOLT-FLANGED,6X25 (Ref # 130A) | 130BB0625 | 1 |
| COVER,LICENSE PLATE LAMP (Ref # 14025) | 14025-1821 | 1 |
| SCREW-PAN-CROS,4X10 (Ref # 220) | 220AA0410 | 1 |
| LAMP-ASSY,LICENSE (Ref # 23016) | 23016-0011 | 1 |
| LAMP-TAIL (Ref # 23025) | 23025-0031 | 1 |
| LENS,TAIL LAMP (Ref # 23026) | 23026-1053 | 1 |
| LENS,LAMP (Ref # 23026A) | 23026-1054 | 1 |
| SCREW-PAN-WP-CROS,6X20 (Ref # 235) | 235AB0620 | 1 |
| BOLT,6X12 (Ref # 92002) | 92002-1132 | 1 |
| SCREW,TAPPING,4X20 (Ref # 92009) | 92009-1378 | 1 |
| NUT,FLANGED,6MM (Ref # 92015) | 92015-1367 | 1 |
| WASHER,6.5X20X1.6 (Ref # 92022) | 92022-1557 | 1 |
| BULB,12V 5W (Ref # 92069) | 92069-1055 | 1 |
| BULB,12V 21/5W (Ref # 92069A) | 92069-1084 | 1 |
| DAMPER,10X24X12 (Ref # 92075) | 92075-1690 | 1 |
| COLLAR (Ref # 92152) | 92152-0344 | 1 |
| COLLAR (Ref # 92152A) | 92152-0562 | 1 |
| DAMPER,TAIL LAMP (Ref # 92161) | 92161-0504 | 1 |