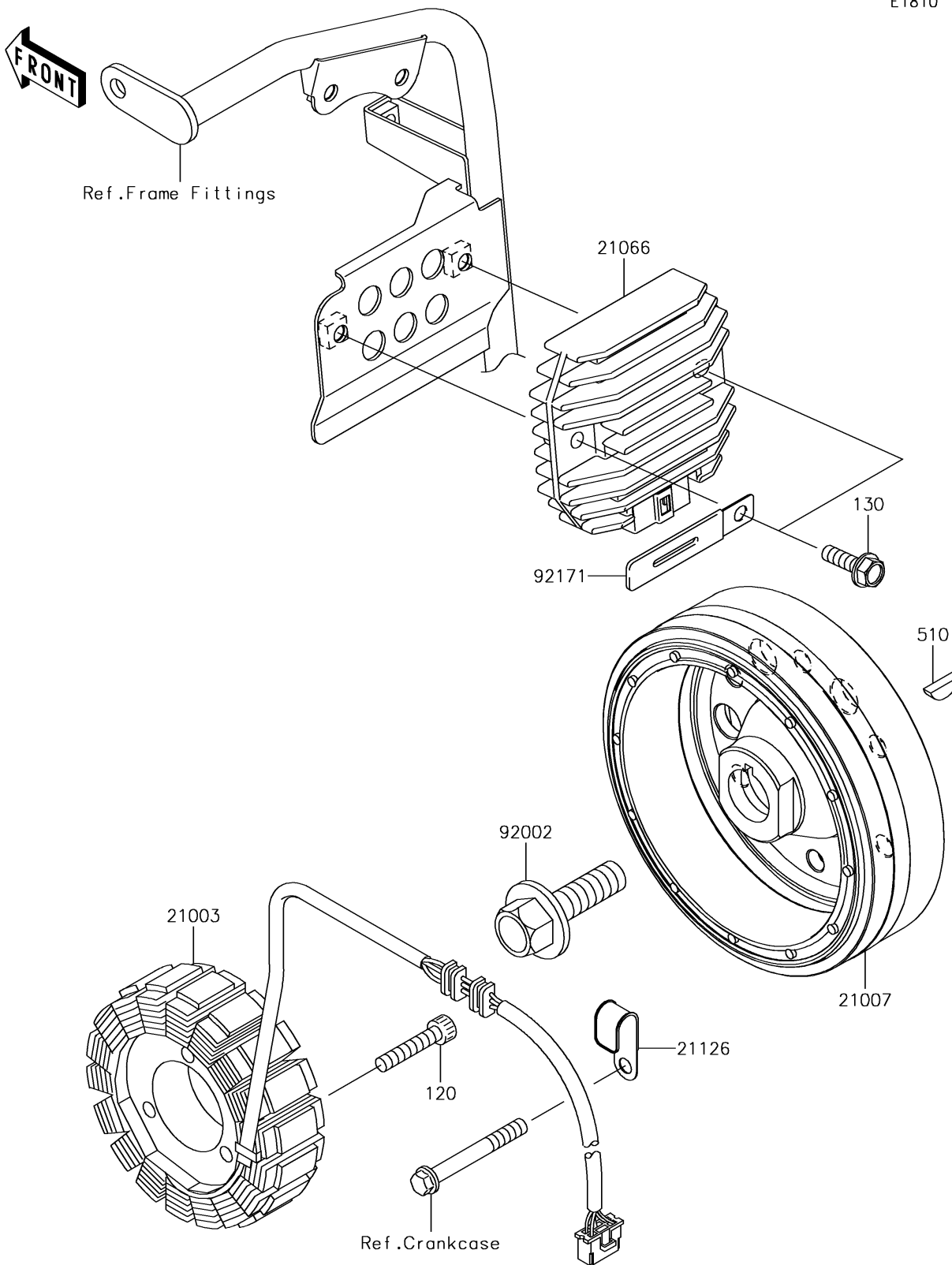


2018 KLR™650 PARTS DIAGRAM

Generator

E1810



2018 KLR™650 PARTS LIST

Generator

| ITEM NAME | PART NUMBER | QUANTITY |
|---|-------------|----------|
| BOLT-SOCKET,6X30 (Ref # 120) | 120CA0630 | 1 |
| BOLT-FLANGED,6X20 (Ref # 130) | 130BA0620 | 1 |
| STATOR (Ref # 21003) | 21003-0106 | 1 |
| ROTOR (Ref # 21007) | 21007-0153 | 1 |
| REGULATOR-VOLTAGE (Ref # 21066) | 21066-0027 | 1 |
| CLAMP,WIRING HARNESS (Ref # 21126) | 21126-008 | 1 |
| KEY-WOODRUFF (Ref # 510) | 510A4200 | 1 |
| BOLT,FLANGED,12X40 (Ref # 92002) | 92002-1693 | 1 |
| CLAMP,WIRING HARNESS,L=60 (Ref # 92171) | 92171-1425 | 1 |