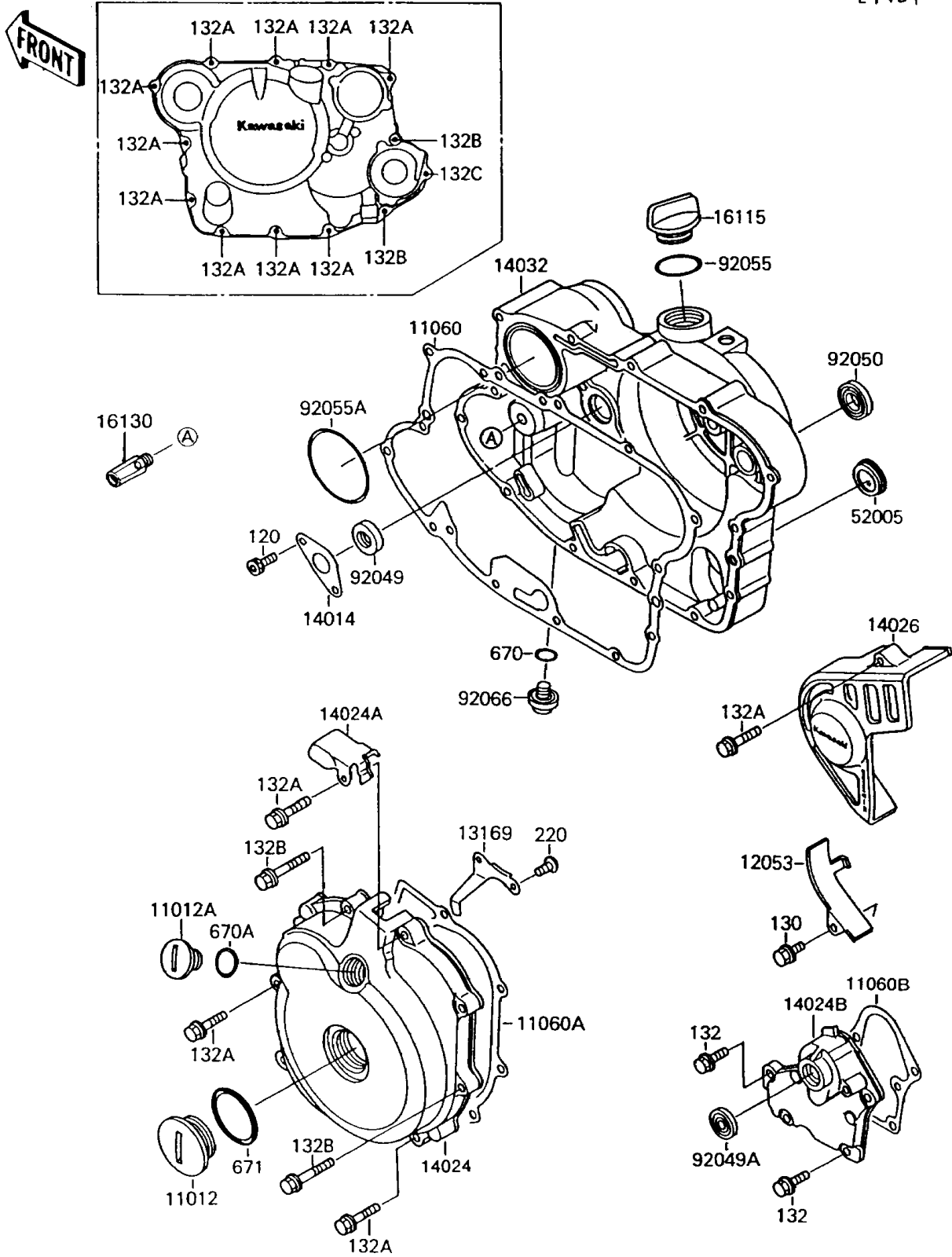


1994 Mojave® 250 PARTS DIAGRAM

Engine Cover(s)

E1431



1994 Mojave® 250 PARTS LIST

Engine Cover(s)

| ITEM NAME | PART NUMBER | QUANTITY |
|---------------------------------------|-------------|----------|
| CAP (Ref # 11012) | 11012-1362 | 1 |
| CAP, TOP MARK (Ref # 11012A) | 11012-1363 | 1 |
| GASKET, CLUTCH COVER (Ref # 11060) | 11060-1238 | 1 |
| GASKET, GENERATOR (Ref # 11060A) | 11060-1239 | 1 |
| GASKET, REVERSE COVER (Ref # 11060B) | 11060-1240 | 1 |
| GUIDE-CHAIN (Ref # 12053) | 12053-1196 | 1 |
| PLATE, GENERATOR LEAD (Ref # 13169) | 13169-1692 | 1 |
| PLATE-POSITION (Ref # 14014) | 14014-1079 | 1 |
| COVER, GENERATOR (Ref # 14024) | 14024-1270 | 1 |
| COVER (Ref # 14024A) | 14024-1363 | 1 |
| COVER, REVERSE (Ref # 14024B) | 14024-1860 | 1 |
| COVER-CHAIN (Ref # 14026) | 14026-1212 | 1 |
| COVER-CLUTCH (Ref # 14032) | 14032-1251 | 1 |
| CAP-OIL FILLER (Ref # 16115) | 16115-1009 | 1 |
| VALVE-ASSY-RELIEF (Ref # 16130) | 16130-1001 | 1 |
| GAUGE, OIL LEVEL (Ref # 52005) | 52005-1009 | 1 |
| SEAL-OIL (Ref # 92049) | 92049-1191 | 1 |
| SEAL-OIL, TB12205.5 (Ref # 92049A) | 92049-1271 | 1 |
| SEAL-OIL (Ref # 92050) | 92050-078 | 1 |
| RING-O, 31.5X2.6 (Ref # 92055) | 92055-049 | 1 |
| RING-O, 62.6X66X3.1 (Ref # 92055A) | 92055-1221 | 1 |
| PLUG, DRAIN (Ref # 92066) | 92066-1156 | 1 |
| BOLT-SOCKET, 6X10 (Ref # 120) | 120P0610 | 1 |
| BOLT-FLANGED (Ref # 130) | 130J0610 | 1 |
| BOLT-FLANGED-SMALL (Ref # 132) | 132J0620 | 1 |
| BOLT-FLANGED-SMALL (Ref # 132A) | 132J0630 | 1 |
| BOLT-FLANGED-SMALL, 6X40 (Ref # 132B) | 132J0640 | 1 |
| BOLT-FLANGED-SMALL (Ref # 132C) | 132J0695 | 1 |
| SCREW-PAN-CROS (Ref # 220) | 220B0512 | 1 |

1994 Mojave® 250 PARTS LIST

Engine Cover(s)

| ITEM NAME | PART NUMBER | QUANTITY |
|--------------------------|-------------|----------|
| O RING,11MM (Ref # 670) | 670B2011 | 1 |
| O RING,18MM (Ref # 670A) | 670B2018 | 1 |
| O RING,40MM (Ref # 671) | 671B2540 | 1 |