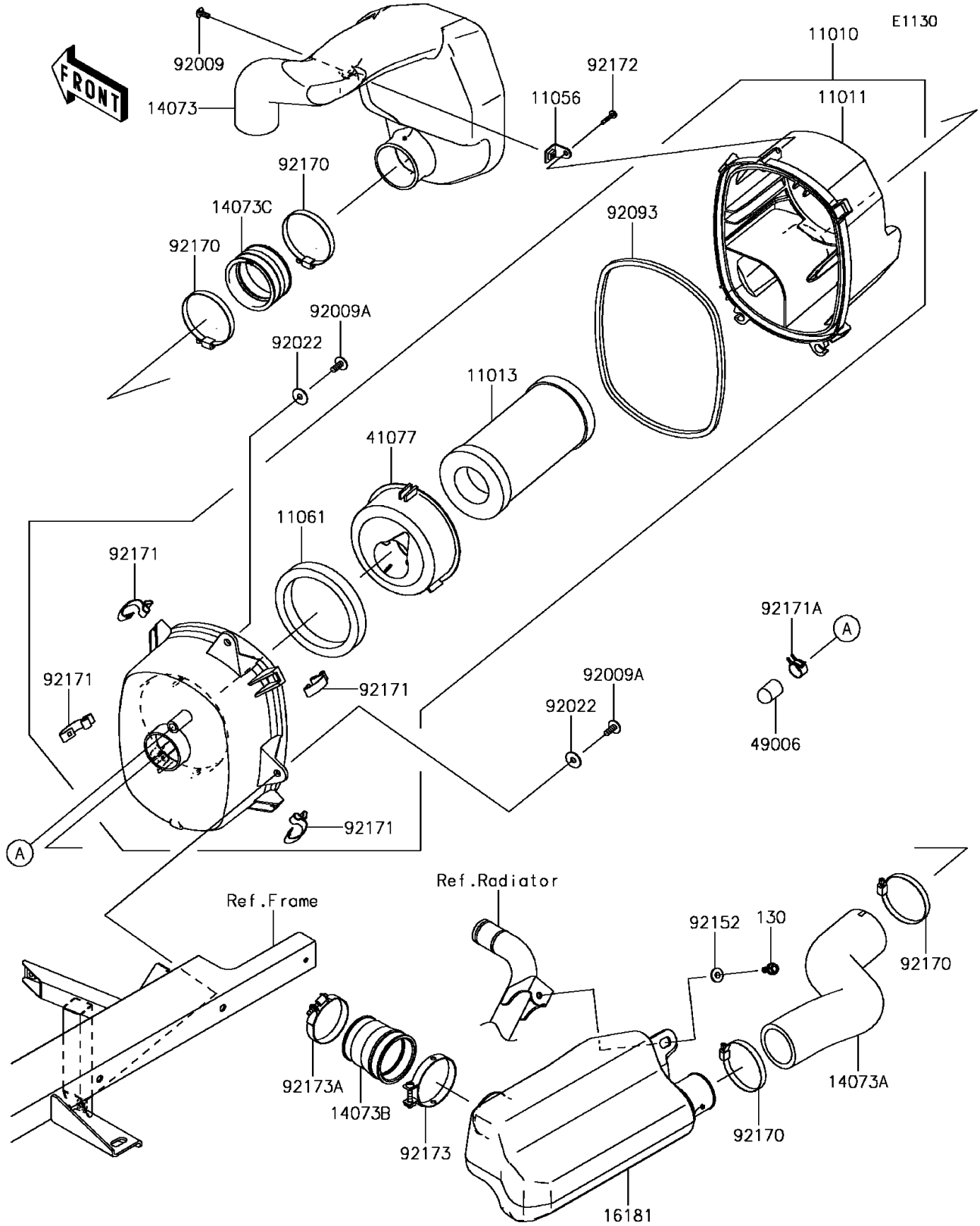


2017 MULE PRO-DX™ EPS LE PARTS DIAGRAM

Air Cleaner



2017 MULE PRO-DX™ EPS LE PARTS LIST

Air Cleaner

| ITEM NAME | PART NUMBER | QUANTITY |
|---|-------------|----------|
| FILTER-ASSY-AIR (Ref # 11010) | 11010-0808 | 1 |
| CASE-AIR FILTER,UPP (Ref # 11011) | 11011-0813 | 1 |
| ELEMENT-AIR FILTER (Ref # 11013) | 11013-1290 | 1 |
| BRACKET,AIR FILTER (Ref # 11056) | 11056-3734 | 1 |
| GASKET,ADAPTER (Ref # 11061) | 11061-0961 | 1 |
| BOLT-FLANGED,6X14 (Ref # 130) | 130BA0614 | 1 |
| DUCT,INTAKE (Ref # 14073) | 14073-0815 | 1 |
| DUCT,AIR CLEANER-RESONATOR (Ref # 14073A) | 14073-0816 | 1 |
| DUCT,FUNNEL (Ref # 14073B) | 14073-0817 | 1 |
| DUCT,JOINT (Ref # 14073C) | 14073-1775 | 1 |
| TANK-RESONATOR (Ref # 16181) | 16181-0017 | 1 |
| ADAPTER,ELEMENT (Ref # 41077) | 41077-0719 | 1 |
| BOOT (Ref # 49006) | 49006-0555 | 1 |
| SCREW,5X12 (Ref # 92009) | 92009-1154 | 1 |
| SCREW,6X16 (Ref # 92009A) | 92009-1621 | 1 |
| WASHER,PLAIN,6MM (Ref # 92022) | 92022-165 | 1 |
| SEAL,AIR FILTER (Ref # 92093) | 92093-0607 | 1 |
| COLLAR,6.5X10X5.6 (Ref # 92152) | 92152-0445 | 1 |
| CLAMP (Ref # 92170) | 92170-1764 | 1 |
| CLAMP (Ref # 92171) | 92171-0225 | 1 |
| CLAMP (Ref # 92171A) | 92171-0533 | 1 |
| SCREW,TAPPING,5X20 (Ref # 92172) | 92172-0009 | 1 |
| CLAMP (Ref # 92173) | 92173-1536 | 1 |
| CLAMP (Ref # 92173A) | 92173-1537 | 1 |