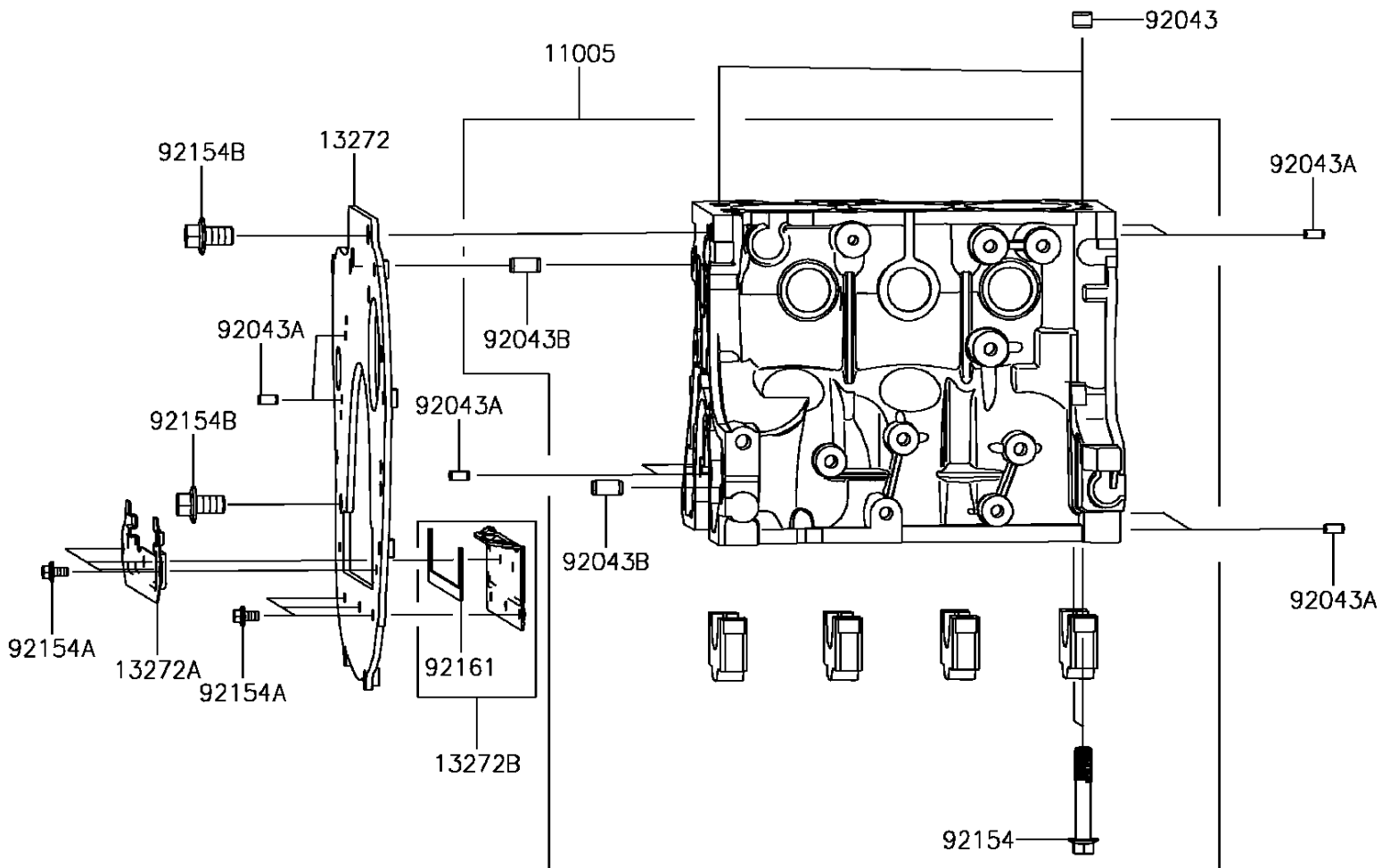


## 2017 MULE PRO-FX™ EPS PARTS DIAGRAM

Crankcase

E1411



## 2017 MULE PRO-FX™ EPS PARTS LIST

Crankcase

| ITEM NAME                         | PART NUMBER | QUANTITY |
|-----------------------------------|-------------|----------|
| CYLINDER-ENGINE (Ref # 11005)     | 11005-0654  | 1        |
| PLATE (Ref # 13272)               | 13272-1543  | 1        |
| PLATE (Ref # 13272A)              | 13272-1858  | 1        |
| PLATE (Ref # 13272B)              | 13272-1873  | 1        |
| PIN (Ref # 92043)                 | 92043-0827  | 1        |
| PIN (Ref # 92043A)                | 92043-0828  | 1        |
| PIN (Ref # 92043B)                | 92043-0832  | 1        |
| BOLT,FLANGED (Ref # 92154)        | 92154-1580  | 1        |
| BOLT,FLANGED,6X10 (Ref # 92154A)  | 92154-1581  | 1        |
| BOLT,FLANGED,12X20 (Ref # 92154B) | 92154-1582  | 1        |
| DAMPER (Ref # 92161)              | 92161-1605  | 1        |