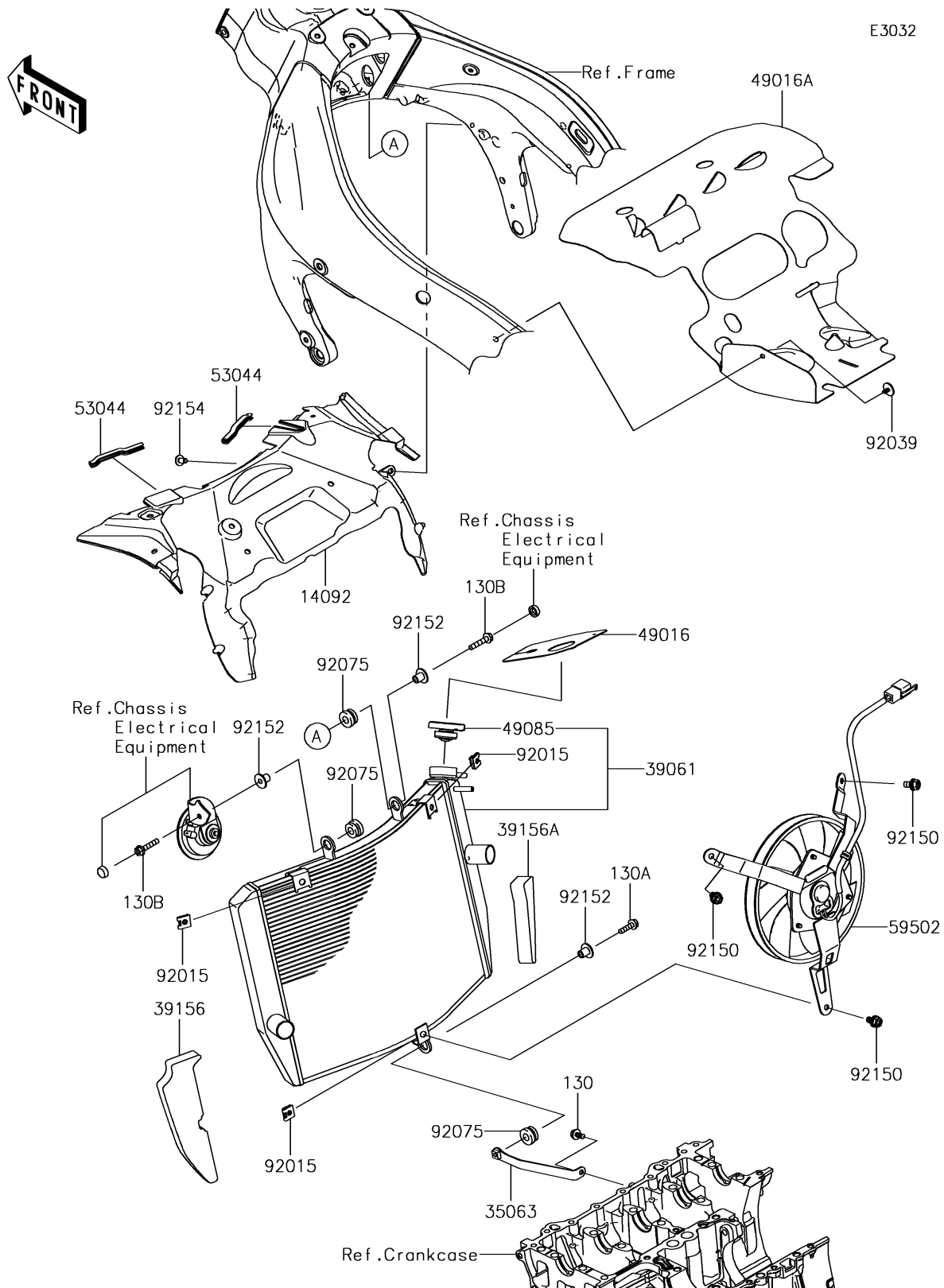


## 2018 NINJA® ZX™-6R PARTS DIAGRAM

Radiator



## 2018 NINJA® ZX™-6R PARTS LIST

Radiator

| ITEM NAME                              | PART NUMBER | QUANTITY |
|--|-------------|----------|
| BOLT-FLANGED,6X14 (Ref # 130)          | 130CA0614   | 1        |
| BOLT-FLANGED,6X22 (Ref # 130A)         | 130CA0622   | 1        |
| BOLT-FLANGED,6X30 (Ref # 130B)         | 130CA0630   | 1        |
| COVER,RADIATOR UPP (Ref # 14092)       | 14092-1089  | 1        |
| STAY,RADIATOR LOW (Ref # 35063)        | 35063-0899  | 1        |
| RADIATOR-ASSY (Ref # 39061)            | 39061-0583  | 1        |
| PAD,RADIATOR LH (Ref # 39156)          | 39156-0862  | 1        |
| PAD,RADIATOR RH (Ref # 39156A)         | 39156-0981  | 1        |
| COVER-SEAL,RESERVOIR UPP (Ref # 49016) | 49016-0603  | 1        |
| COVER-SEAL,ENGINE RR (Ref # 49016A)    | 49016-0604  | 1        |
| CAP-ASSY-PRESSURE (Ref # 49085)        | 49085-1066  | 1        |
| TRIM (Ref # 53044)                     | 53044-0018  | 1        |
| FAN-ASSY (Ref # 59502)                 | 59502-0580  | 1        |
| NUT (Ref # 92015)                      | 92015-1487  | 1        |
| RIVET (Ref # 92039)                    | 92039-0065  | 1        |
| DAMPER,RUBBER (Ref # 92075)            | 92075-1123  | 1        |
| BOLT,6X12 (Ref # 92150)                | 92150-1186  | 1        |
| COLLAR (Ref # 92152)                   | 92152-0666  | 1        |
| BOLT,6X12 (Ref # 92154)                | 92154-1892  | 1        |