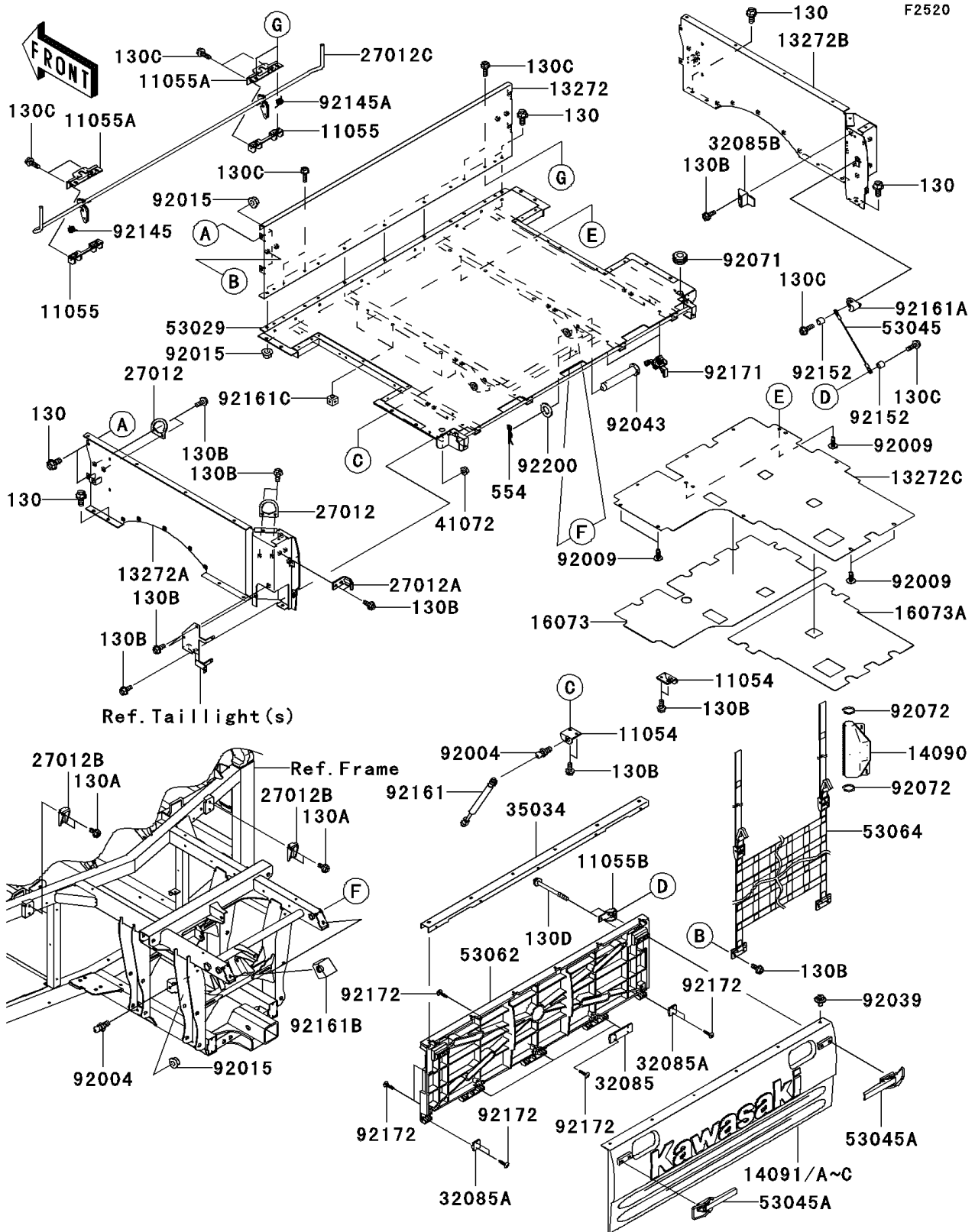


## 2010 Teryx® 750 FI 4x4 SGE PARTS DIAGRAM

Carrier(s)



## 2010 Teryx® 750 FI 4x4 SGE PARTS LIST

Carrier(s)

ITEM NAME	PART NUMBER	QUANTITY
BRACKET (Ref # 11054)	11054-1159	1
BRACKET (Ref # 11055)	11055-0795	1
BRACKET (Ref # 11055A)	11055-0797	1
BRACKET, TAIL GATE (Ref # 11055B)	11055-0798	1
PLATE, CARRIER, FR (Ref # 13272)	13272-0464	1
PLATE, CARRIER, LH (Ref # 13272A)	13272-0692	1
PLATE, CARRIER, RH (Ref # 13272B)	13272-0694	1
PLATE, HEAT GUARD (Ref # 13272C)	13272-0719	1
COVER, COUPLER (Ref # 14090)	14090-1611	1
COVER, TAIL GATE, G.D. RED (Ref # 14091)	14091-1613-31H	1
COVER, TAIL GATE, G.D. SILVER (Ref # 14091A)	14091-1613-31J	1
COVER, TAIL GATE, G.D. BLACK (Ref # 14091B)	14091-1613-31K	1
COVER, TAIL GATE, G.D. BLUE (Ref # 14091C)	14091-1613-31L	1
INSULATOR (Ref # 16073)	16073-0085	1
INSULATOR (Ref # 16073A)	16073-0086	1
HOOK (Ref # 27012)	27012-0113	1
HOOK (Ref # 27012A)	27012-0133	1
HOOK, CARRIER DUMP LOCK (Ref # 27012B)	27012-0145	1
HOOK, CARRIER DUMP LOCK (Ref # 27012C)	27012-0167	1
STOPPER (Ref # 32085)	32085-0103	1
STOPPER (Ref # 32085A)	32085-0104	1
STOPPER (Ref # 32085B)	32085-0145	1
REINFORCE (Ref # 35034)	35034-0102	1
NUT, 6MM (Ref # 41072)	41072-007	1
CARRIER, BASE (Ref # 53029)	53029-0087	1
HOOK-ASSY, TAIL GATE (Ref # 53045)	53045-0004	1
HOOK-ASSY (Ref # 53045A)	53045-1063	1
GATE-TAIL (Ref # 53062)	53062-0014	1
NET-CARGO (Ref # 53064)	53064-0012	1

## 2010 Teryx® 750 FI 4x4 SGE PARTS LIST

Carrier(s)

ITEM NAME	PART NUMBER	QUANTITY
STUD,8X13.5 (Ref # 92004)	92004-0034	1
SCREW,TAPPING,6X16 (Ref # 92009)	92009-1166	1
NUT,FLANGED,8MM (Ref # 92015)	92015-1406	1
RIVET (Ref # 92039)	92039-1256	1
PIN,12.4X72.4 (Ref # 92043)	92043-0168	1
GROMMET (Ref # 92071)	92071-1010	1
BAND,L=123 (Ref # 92072)	92072-030	1
SPRING,LH (Ref # 92145)	92145-0653	1
SPRING,RH (Ref # 92145A)	92145-0654	1
COLLAR,6.3X9.5X8 (Ref # 92152)	92152-0621	1
DAMPER,GAS SPRINGS (Ref # 92161)	92161-0451	1
BOLT-FLANGED,8X16 (Ref # 130)	130BA0816	1
BOLT-FLANGED,6X12 (Ref # 130A)	130BB0612	1
BOLT-FLANGED,6X14 (Ref # 130B)	130BB0614	1
BOLT-FLANGED,6X18 (Ref # 130C)	130BB0618	1
BOLT-FLANGED,6X65 (Ref # 130D)	130BB0665	1
PIN-SNAP,12MM (Ref # 554)	554DA1200	1
DAMPER (Ref # 92161A)	92161-0550	1
DAMPER (Ref # 92161B)	92161-0698	1
DAMPER (Ref # 92161C)	92161-0774	1
CLAMP (Ref # 92171)	92171-0453	1
SCREW,TAPPING,4X16 (Ref # 92172)	92172-0347	1
WASHER,13X24X2 (Ref # 92200)	92200-0451	1