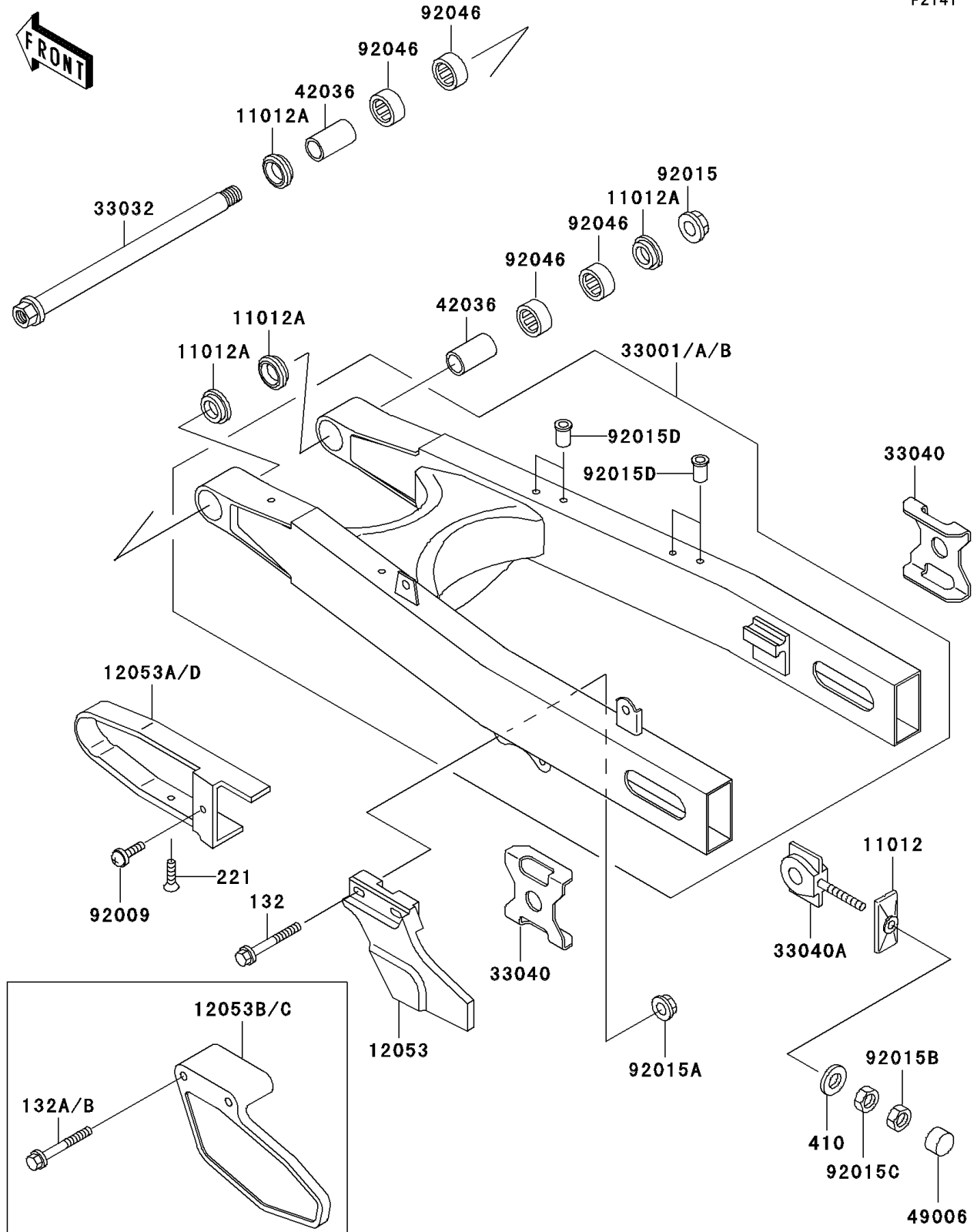


1993 KLX™650 PARTS DIAGRAM

Swingarm

F2141



1993 KLX™650 PARTS LIST

Swingarm

ITEM NAME	PART NUMBER	QUANTITY
BOLT-FLANGED-SMALL (Ref # 132)	132G0640	1
BOLT-FLANGED-SMALL (Ref # 132B)	132G0655	1
SCREW-CSK-CROS,6X10 (Ref # 221)	221B0610	1
WASHER-PLAIN-SMALL,8MM (Ref # 410)	410B0800	1
CAP,CHAIN ADJUSTER (Ref # 11012)	11012-1780	1
CAP,SWING ARM PIPOT (Ref # 11012A)	11012-1790	1
GUIDE-CHAIN,RR (Ref # 12053)	12053-1104	1
GUIDE-CHAIN,DRIVE,FR (Ref # 12053A)	12053-1293	1
GUIDE-CHAIN,RR (Ref # 12053C)	12053-1335	1
ARM-COMP-SWING,SILVER NO.25 (Ref # 33001)	33001-1424-CE	1
ARM-COMP-SWING,SILVER NO.25 (Ref # 33001B)	33001-1436-CE	1
SHAFT-SWING ARM (Ref # 33032)	33032-1171	1
ADJUSTER-CHAIN,OUTER (Ref # 33040)	33040-1131	1
ADJUSTER-CHAIN,INNER (Ref # 33040A)	33040-1132	1
SLEEVE,SWING ARM,L=58 (Ref # 42036)	42036-1307	1
BOOT (Ref # 49006)	49006-1218	1
SCREW,6X14 (Ref # 92009)	92009-1288	1
NUT,FLANGED,16MM (Ref # 92015)	92015-1316	1
NUT,LOCK,FLANGED,6MM (Ref # 92015A)	92015-1339	1
NUT,8MM (Ref # 92015B)	92015-1364	1
NUT,8MM (Ref # 92015C)	92015-1658	1
NUT,POP,6MM,L=16.5 (Ref # 92015D)	92015-1792	1
BEARING-NEEDLE,HK2212/8A (Ref # 92046)	92046-1214	1