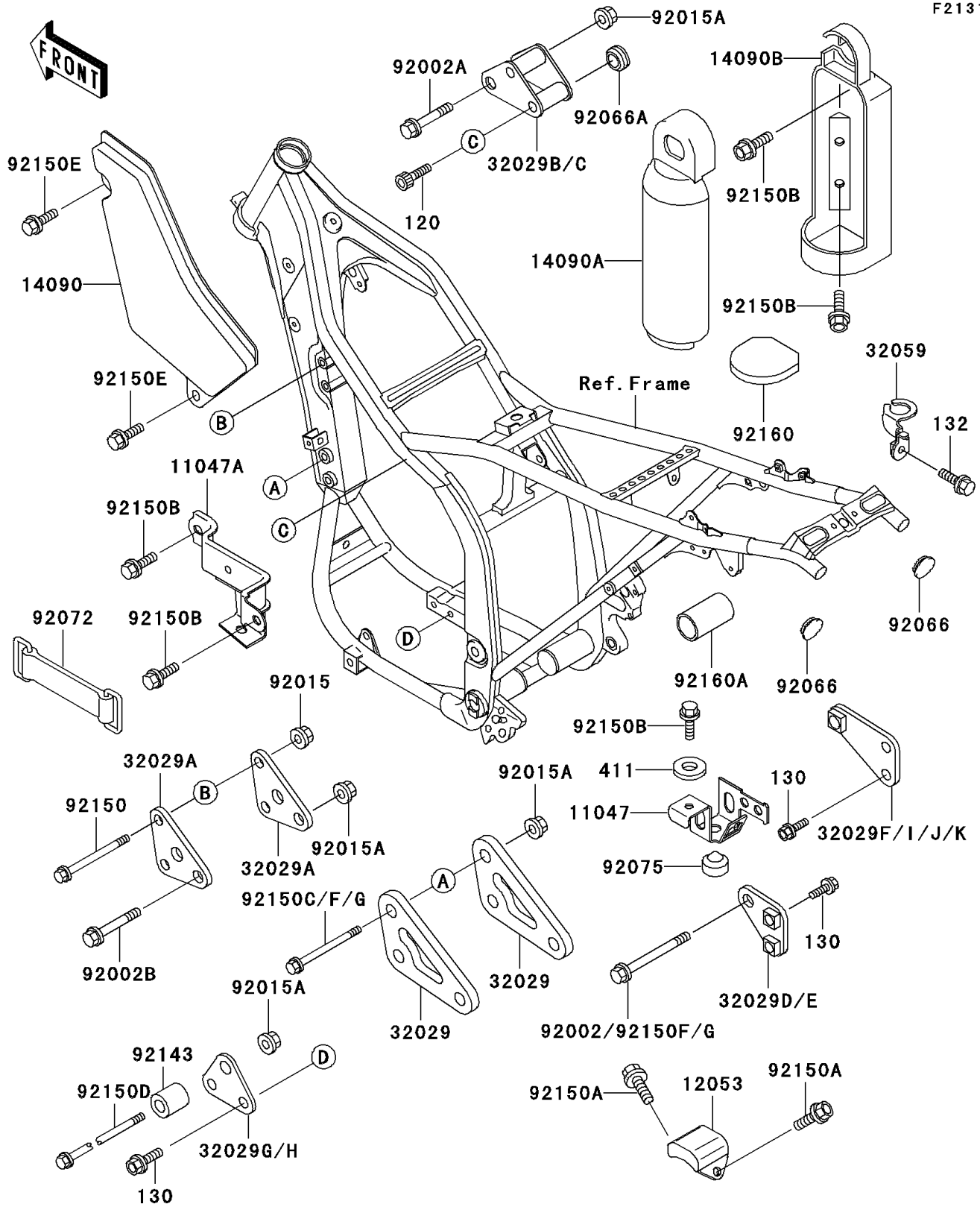


## 1993 KLX™650 PARTS DIAGRAM

Frame Fittings

F2131



## 1993 KLX™650 PARTS LIST

### Frame Fittings

ITEM NAME	PART NUMBER	QUANTITY
BRACKET,ELECTRIC (Ref # 11047)	11047-1954	1
BRACKET,TOOL BOX (Ref # 11047A)	11047-1981	1
GUIDE-CHAIN (Ref # 12053)	12053-1310	1
COVER,BATTERY (Ref # 14090)	14090-1298	1
COVER,TOOL CASE (Ref # 14090A)	14090-1301	1
COVER,TOOL CASE (Ref # 14090B)	14090-1302	1
BRACKET-ENGINE,FR,LWR (Ref # 32029)	32029-1840	1
BRACKET-ENGINE,FR,UPP (Ref # 32029A)	32029-1858	1
BRACKET-ENGINE,RR,UPP,GREEN (Ref # 32029B)	32029-1859-KT	1
BRACKET-ENGINE,RR,LWR,LH,GREEN (Ref # 32029D)	32029-1882-KT	1
BRACKET-ENGINE,RR,LWR,RH,GREEN (Ref # 32029F)	32029-1883-KT	1
BRACKET-ENGINE,LWR,GREEN (Ref # 32029G)	32029-1884-KT	1
BRACKET-ENGINE,RR,LWR,RH,GREEN (Ref # 32029K)	32029-1899-KT	1
BRACKET-SWITCH,BRAKE (Ref # 32059)	32059-1117	1
BOLT,10X90 (Ref # 92002)	92002-1674	1
BOLT,FLANGED,10X46 (Ref # 92002A)	92002-1740	1
BOLT,FLANGED,10X53 (Ref # 92002B)	92002-1936	1
NUT,8MM (Ref # 92015)	92015-1432	1
NUT,FLANGED,10MM (Ref # 92015A)	92015-1502	1
PLUG,FRAME END,12X13 (Ref # 92066)	92066-1034	1
PLUG (Ref # 92066A)	92066-1115	1
BAND,BATTERY,L=105 (Ref # 92072)	92072-1173	1
DAMPER (Ref # 92075)	92075-1927	1
COLLAR,10.5X20X16.2 (Ref # 92143)	92143-1618	1
BOLT,FLANGED,8X50 (Ref # 92150)	92150-1214	1
BOLT,6X14 (Ref # 92150A)	92150-1340	1
BOLT,6X12 (Ref # 92150B)	92150-1435	1
BOLT,FLANGED,10X95 (Ref # 92150C)	92150-1582	1
BOLT,FLANGED,10X150 (Ref # 92150D)	92150-1686	1

## 1993 KLX™650 PARTS LIST

Frame Fittings

ITEM NAME	PART NUMBER	QUANTITY
BOLT-SOCKET,8X55 (Ref # 120)	120P0855	1
BOLT-FLANGED,8X16 (Ref # 130)	130G0816	1
BOLT-FLANGED-SMALL (Ref # 132)	132G0612	1
WASHER-PLAIN,10MM (Ref # 411)	411B1000	1
BOLT,FLANGED,6X14 (Ref # 92150E)	92150-1689	1
BOLT,FLANGED,10X95 (Ref # 92150G)	92150-1722	1
DAMPER,TOOL CASE (Ref # 92160)	92160-1403	1
DAMPER (Ref # 92160A)	92160-1456	1