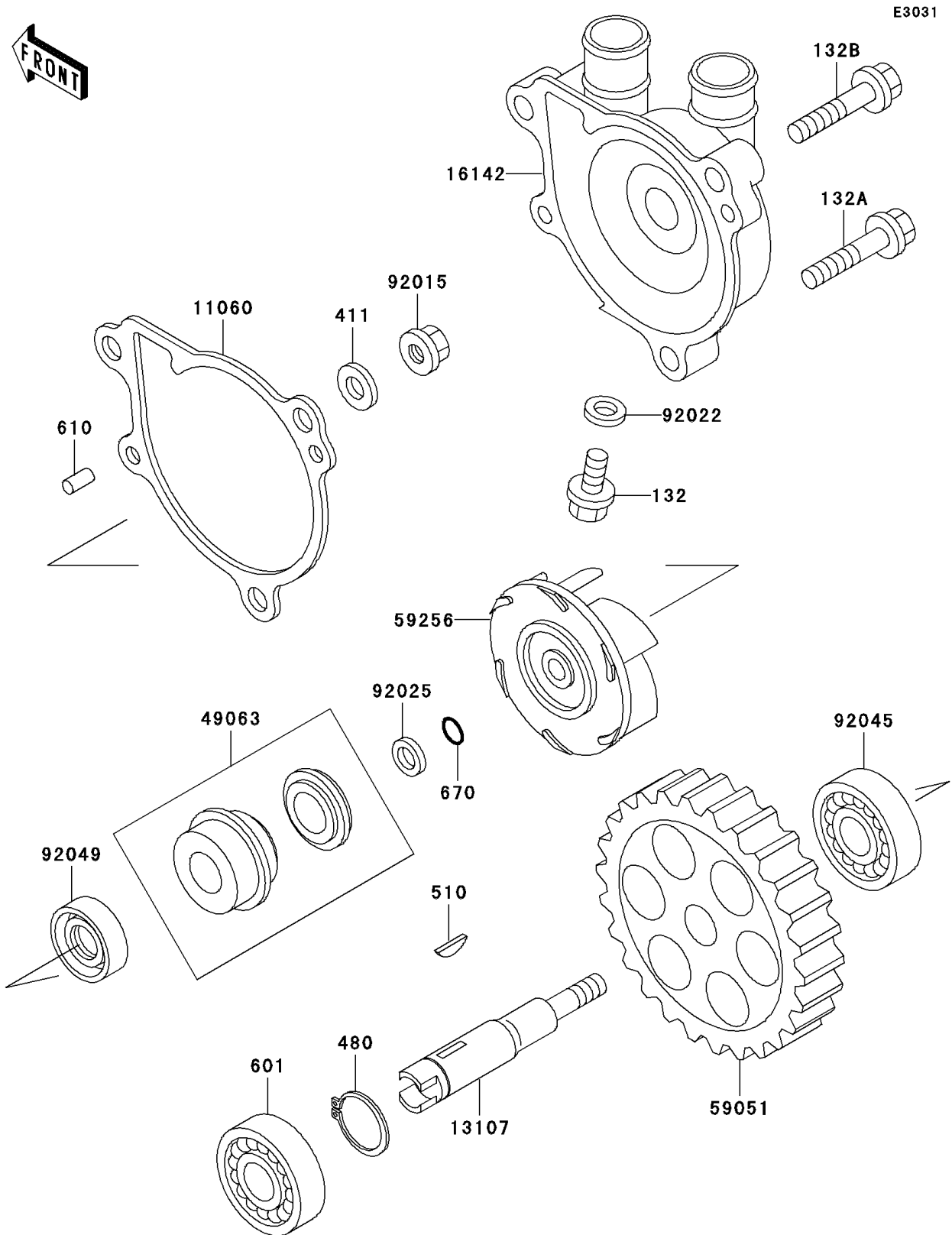


1993 KLX™650 PARTS DIAGRAM

Water Pump



1993 KLX™650 PARTS LIST

Water Pump

| ITEM NAME | PART NUMBER | QUANTITY |
|---------------------------------------|-------------|----------|
| BOLT-FLANGED-SMALL (Ref # 132) | 132Y0608 | 1 |
| BOLT-FLANGED-SMALL (Ref # 132A) | 132Y0630 | 1 |
| BOLT-FLANGED-SMALL (Ref # 132B) | 132Y0635 | 1 |
| WASHER-PLAIN,6MM,BLACK (Ref # 411) | 411F0600 | 1 |
| CIRCLIP-TYPE-C,12MM (Ref # 480) | 480J1200 | 1 |
| KEY-WOODRUFF (Ref # 510) | 510A3100 | 1 |
| BEARING-BALL (Ref # 601) | 601A6001 | 1 |
| ROLLER,4X8 (Ref # 610) | 610A0408 | 1 |
| O RING,6MM (Ref # 670) | 670B1506 | 1 |
| GASKET,WATER PUMP COVER (Ref # 11060) | 11060-1114 | 1 |
| SHAFT,WATER PUMP (Ref # 13107) | 13107-1305 | 1 |
| COVER-PUMP (Ref # 16142) | 16142-1122 | 1 |
| SEAL-MECHANICAL (Ref # 49063) | 49063-1054 | 1 |
| GEAR-SPUR,37T (Ref # 59051) | 59051-1284 | 1 |
| IMPELLER (Ref # 59256) | 59256-1055 | 1 |
| NUT,FLANGED,6MM (Ref # 92015) | 92015-1078 | 1 |
| WASHER,6.2X11X1 (Ref # 92022) | 92022-304 | 1 |
| SHIM,T=0.8 (Ref # 92025) | 92025-1503 | 1 |
| BEARING-BALL,6901 (Ref # 92045) | 92045-1246 | 1 |
| SEAL-OIL,AC037AE0 (Ref # 92049) | 92049-1228 | 1 |