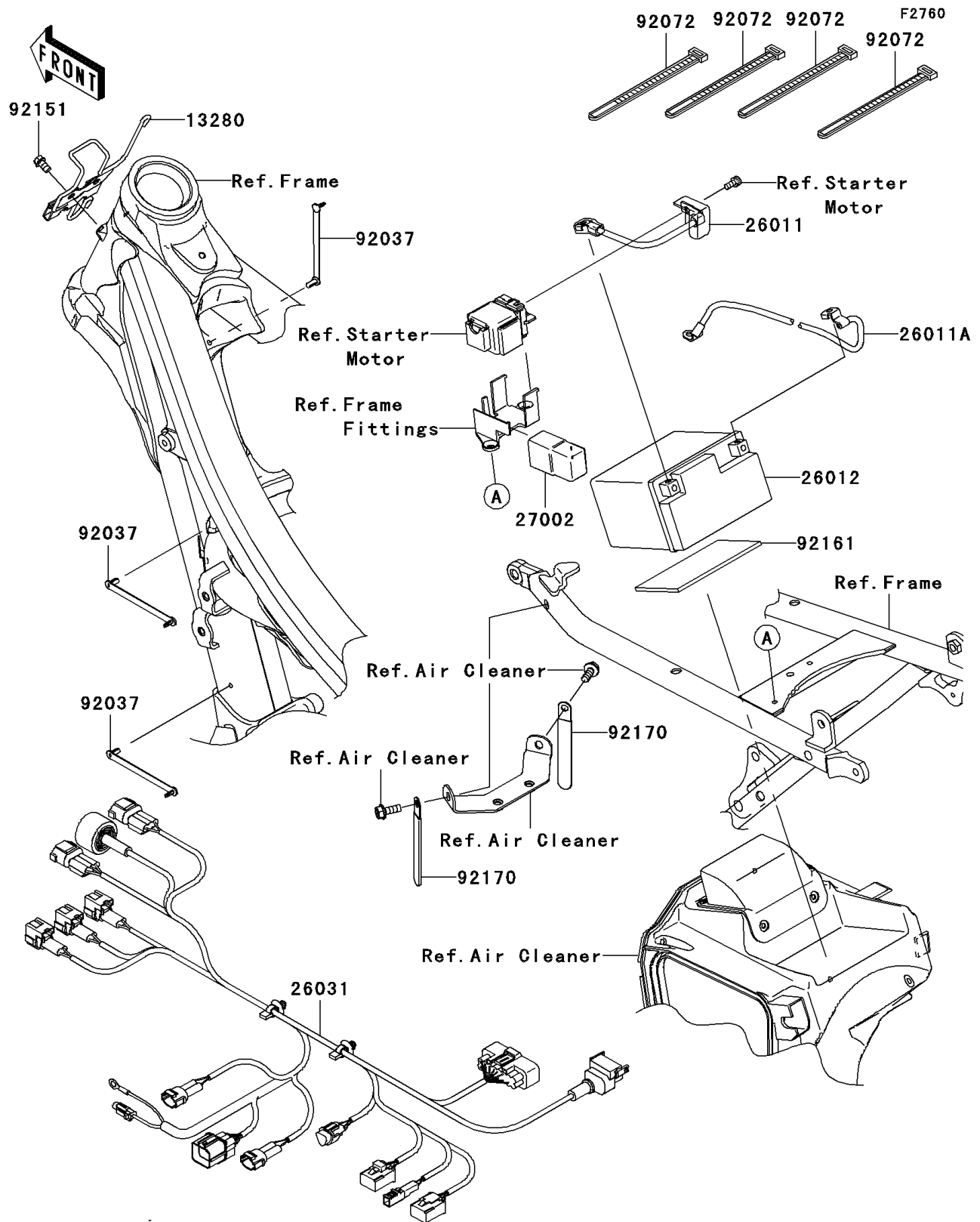


2010 PARTS DIAGRAM

Chassis Electrical Equipment



2010 PARTS LIST

Chassis Electrical Equipment

| ITEM NAME | PART NUMBER | QUANTITY |
|--|-------------|----------|
| HOLDER,CONNECTOR&CABLE (Ref # 13280) | 13280-0214 | 1 |
| WIRE-LEAD,BATTERY(+) (Ref # 26011) | 26011-0131 | 1 |
| WIRE-LEAD,BATTERY(-) (Ref # 26011A) | 26011-0132 | 1 |
| BATTERY,YTZ7S(F),12V 6AH (Ref # 26012) | 26012-0098 | 1 |
| HARNESS,MAIN (Ref # 26031) | 26031-0601 | 1 |
| RELAY-ASSY (Ref # 27002) | 27002-1086 | 1 |
| CLAMP,SPEED,L=80.5 (Ref # 92037) | 92037-1903 | 1 |
| BAND,L=140 (Ref # 92072) | 92072-1293 | 1 |
| BOLT,FLANGED,6X10 (Ref # 92151) | 92151-1233 | 1 |
| DAMPER (Ref # 92161) | 92161-0456 | 1 |
| CLAMP (Ref # 92170) | 92170-1925 | 1 |