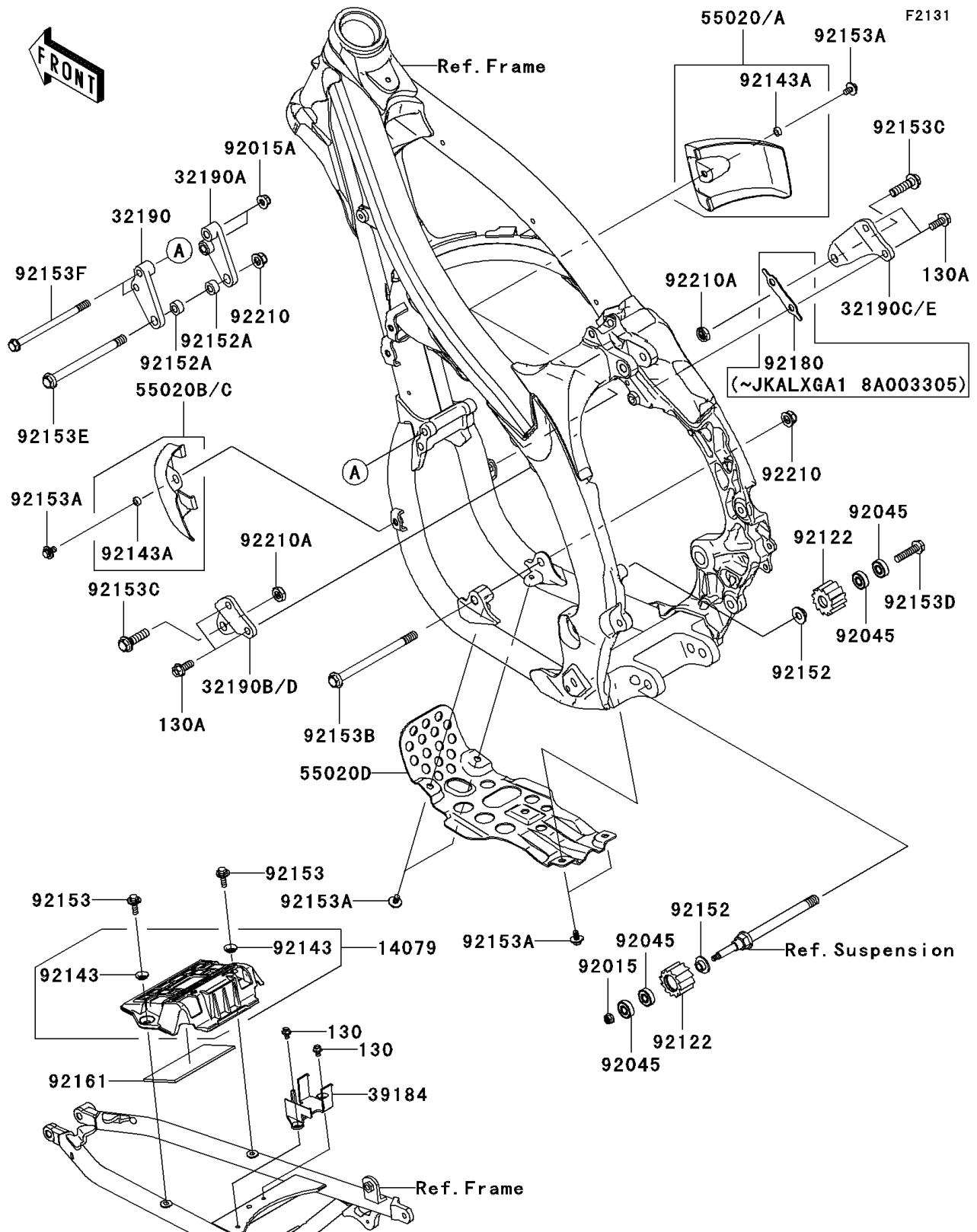


2010 PARTS DIAGRAM

Frame Fittings



2010 PARTS LIST

Frame Fittings

ITEM NAME	PART NUMBER	QUANTITY
HOLDER-ASSY,BATTERY (Ref # 14079)	14079-0026	1
BRACKET-ENGINE,FR,LH (Ref # 32190)	32190-0330	1
BRACKET-ENGINE,FR,RH (Ref # 32190A)	32190-0331	1
BRACKET-ENGINE,UPP,LH (Ref # 32190D)	32190-0351	1
BRACKET-ENGINE,UPP,RH (Ref # 32190E)	32190-0352	1
BRACKET-ASSY,SWITCH&RELAY (Ref # 39184)	39184-0008	1
GUARD,ENGINE,RH,EBONY (Ref # 55020A)	55020-0179-6C	1
GUARD,ENGINE,LH,EBONY (Ref # 55020C)	55020-0313-6C	1
GUARD,SKID (Ref # 55020D)	55020-0369	1
NUT,LOCK,FLANGED,6MM (Ref # 92015)	92015-1339	1
NUT,8MM (Ref # 92015A)	92015-1432	1
BEARING-BALL,608LLU/2A (Ref # 92045)	92045-0060	1
ROLLER,CHAIN GUIDE (Ref # 92122)	92122-0016	1
COLLAR (Ref # 92143)	92143-1196	1
COLLAR (Ref # 92143A)	92143-1307	1
COLLAR (Ref # 92152)	92152-0459	1
COLLAR,10.2X20X10 (Ref # 92152A)	92152-0595	1
BOLT,6X20 (Ref # 92153)	92153-0502	1
BOLT,6X12 (Ref # 92153A)	92153-0503	1
BOLT,FLANGED,10X137 (Ref # 92153B)	92153-0704	1
BOLT,FLANGED,10X35 (Ref # 92153C)	92153-0802	1
BOLT,FLANGED,8X35 (Ref # 92153D)	92153-1652	1
BOLT,FLANGED,10X128 (Ref # 92153E)	92153-1869	1
BOLT,FLANGED,8X126 (Ref # 92153F)	92153-1870	1
DAMPER (Ref # 92161)	92161-0456	1
NUT,LOCK,FLANGED,10MM (Ref # 92210)	92210-1080	1
NUT,LOCK,10MM (Ref # 92210A)	92210-1184	1
BOLT-FLANGED,5X10 (Ref # 130)	130BA0510	1
BOLT-FLANGED,8X18 (Ref # 130A)	130CA0818	1