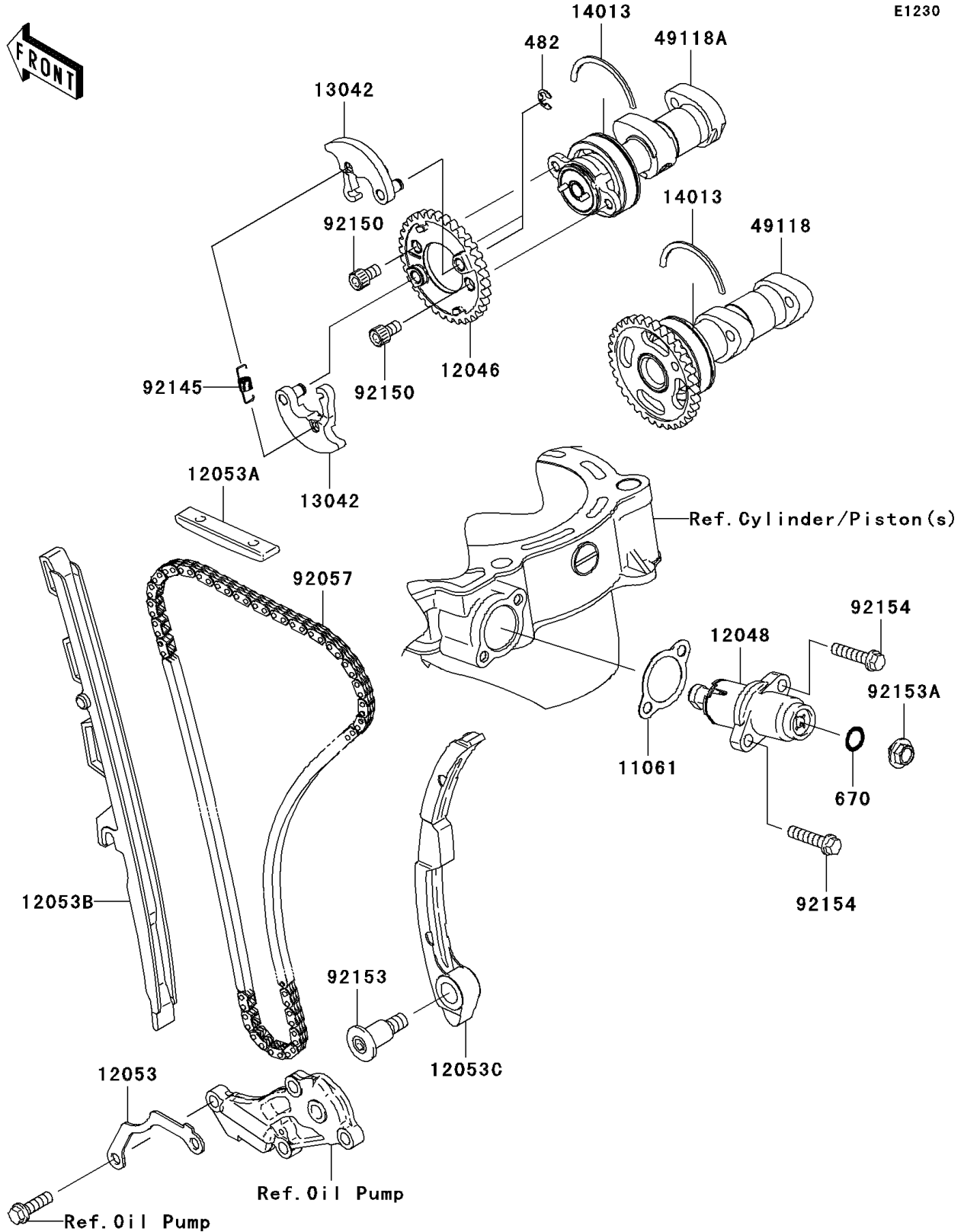


2010 PARTS DIAGRAM

Camshaft(s)/Tensioner

E1230



2010 PARTS LIST

Camshaft(s)/Tensioner

| ITEM NAME | PART NUMBER | QUANTITY |
|---|-------------|----------|
| CIRCLIP-TYPE-E (Ref # 482) | 482J5000 | 1 |
| O RING (Ref # 670) | 670D2010 | 1 |
| GASKET (Ref # 11061) | 11061-0260 | 1 |
| SPROCKET,34T (Ref # 12046) | 12046-0043 | 1 |
| TENSIONER-ASSY (Ref # 12048) | 12048-0021 | 1 |
| GUIDE-CHAIN,CAM CHAIN STOPPER (Ref # 12053) | 12053-0031 | 1 |
| GUIDE-CHAIN,UPP (Ref # 12053A) | 12053-0051 | 1 |
| GUIDE-CHAIN,FR (Ref # 12053B) | 12053-0064 | 1 |
| GUIDE-CHAIN,RR (Ref # 12053C) | 12053-0065 | 1 |
| WEIGHT (Ref # 13042) | 13042-0005 | 1 |
| RING-POSITION (Ref # 14013) | 14013-0001 | 1 |
| CAMSHAFT-COMP,INTAKE (Ref # 49118) | 49118-0101 | 1 |
| CAMSHAFT-COMP,EXHAUST (Ref # 49118A) | 49118-0102 | 1 |
| CHAIN,98XRH2010-124M (Ref # 92057) | 92057-0035 | 1 |
| SPRING (Ref # 92145) | 92145-0541 | 1 |
| BOLT,SOCKET,6X10 (Ref # 92150) | 92150-1650 | 1 |
| BOLT,8X29.5 (Ref # 92153) | 92153-0717 | 1 |
| BOLT,6X6 (Ref # 92153A) | 92153-1380 | 1 |
| BOLT,FLANGED,6X25 (Ref # 92154) | 92154-0520 | 1 |