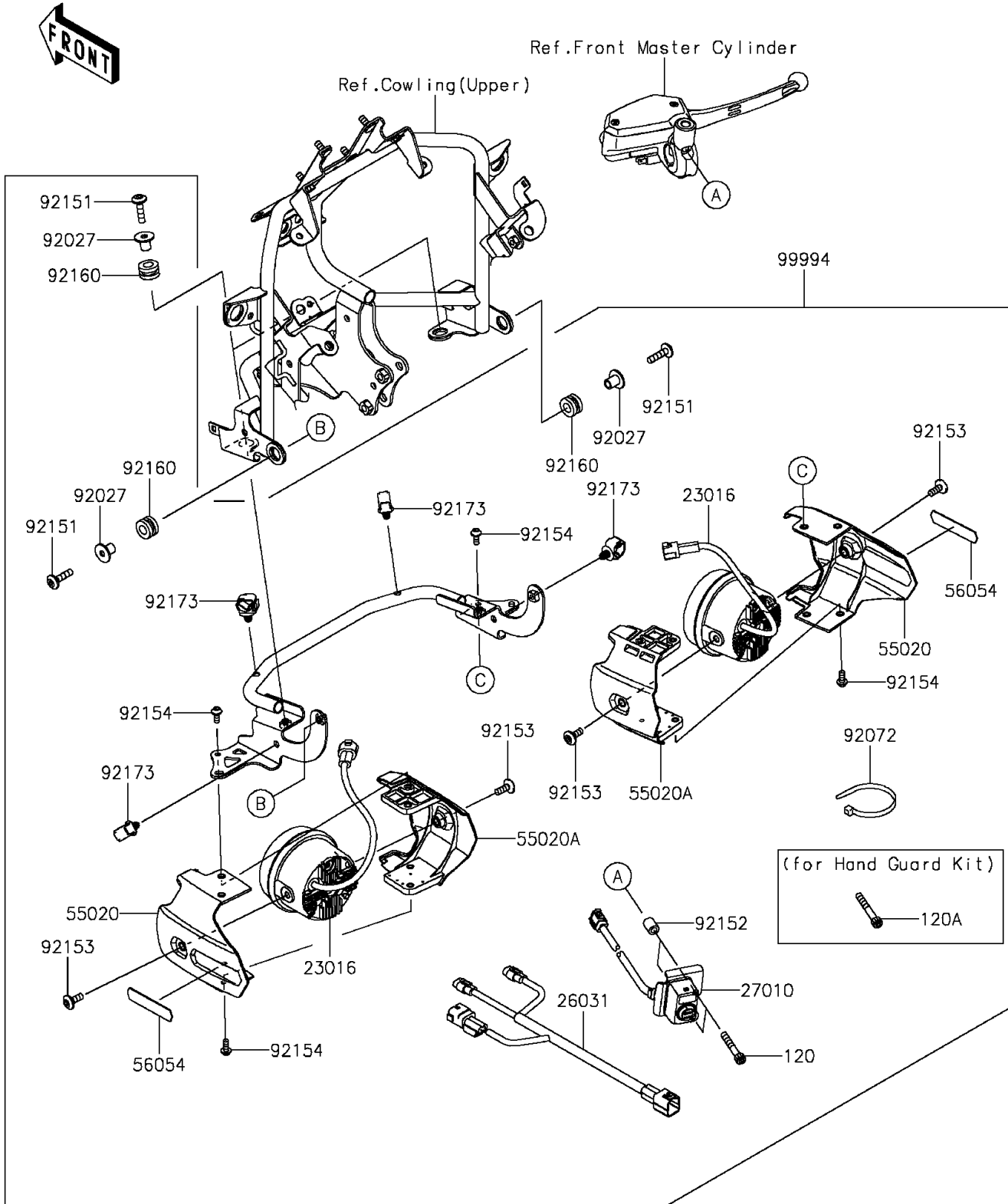


## 2015 VERSYS® 1000 ABS PARTS DIAGRAM

Accessory(Fog Lamp)

F2910A



## 2015 VERSYS® 1000 ABS PARTS LIST

Accessory(Fog Lamp)

ITEM NAME	PART NUMBER	QUANTITY
BOLT-SOCKET,6X40 (Ref # 120)	120CB0640	1
BOLT-SOCKET,6X45 (Ref # 120A)	120CB0645	1
LAMP-ASSY,FOG LAMP,LED (Ref # 23016)	23016-0571	1
HARNESS,FOG LAMP (Ref # 26031)	26031-1756	1
SWITCH,FOG LAMP (Ref # 27010)	27010-0761	1
GUARD,OUTER (Ref # 55020)	55020-1825	1
GUARD,INNER (Ref # 55020A)	55020-1826	1
MARK,FOG LAMP,KAWASAKI (Ref # 56054)	56054-1695	1
COLLAR,6.5X10X14.1 (Ref # 92027)	92027-1183	1
BAND,L=152 (Ref # 92072)	92072-3874	1
BOLT,SOCKET,6X25 (Ref # 92151)	92151-1611	1
COLLAR,6.3X11X14 (Ref # 92152)	92152-1965	1
BOLT,SOCKET,6X16 (Ref # 92153)	92153-1526	1
BOLT,SOCKET,5X12 (Ref # 92154)	92154-0917	1
DAMPER,10X20X12 (Ref # 92160)	92160-1167	1
CLAMP,12MM DIA. (Ref # 92173)	92173-0736	1
KIT-ACCESSORY,FOG LAMP (Ref # 99994)	99994-0487	1