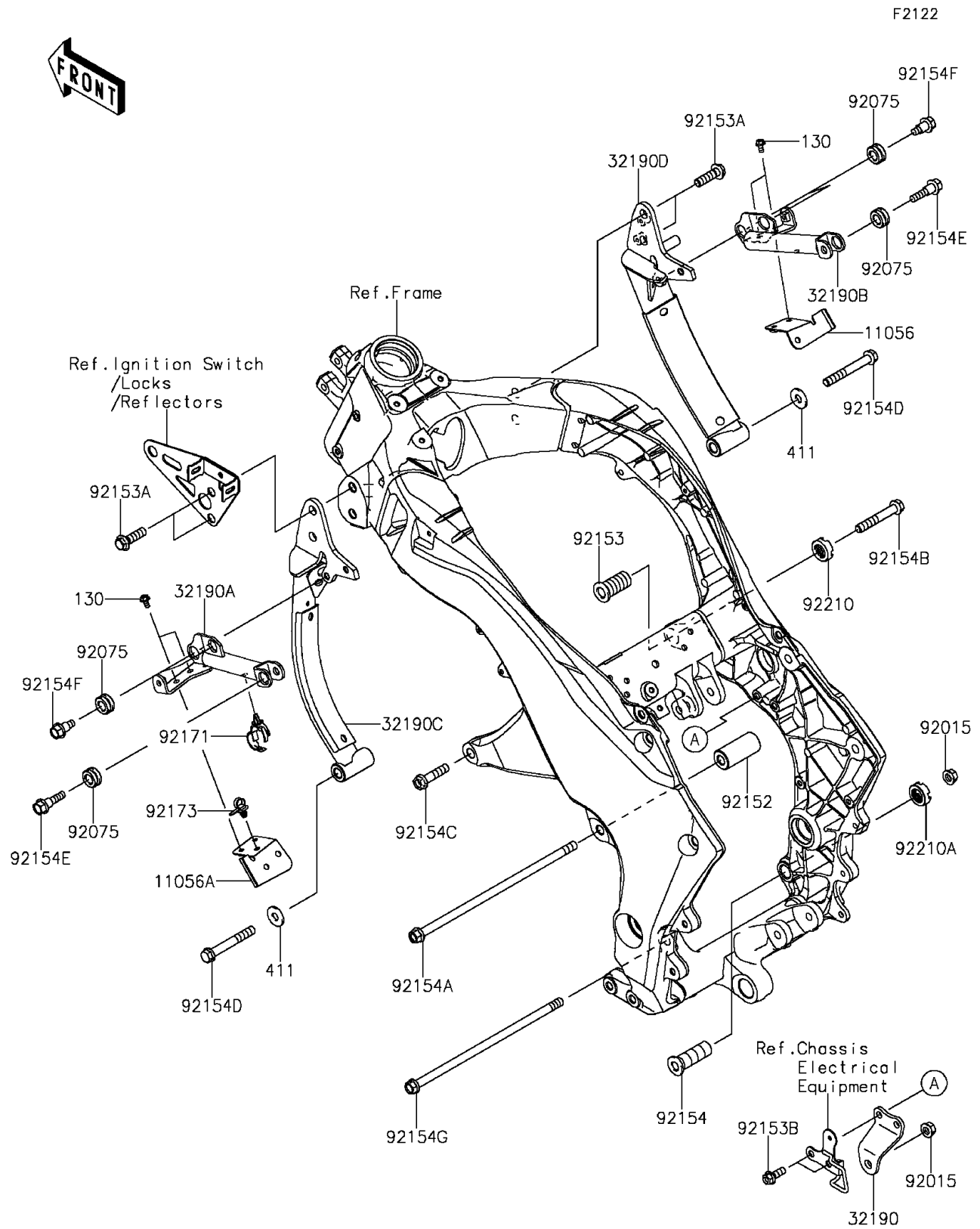


## 2014 NINJA® 1000 ABS PARTS DIAGRAM

Engine Mount



## 2014 NINJA® 1000 ABS PARTS LIST

Engine Mount

| ITEM NAME                                    | PART NUMBER    | QUANTITY |
|----------------------------------------------|----------------|----------|
| BRACKET,HEAT SHIELD,RH (Ref # 11056)         | 11056-0551     | 1        |
| BRACKET,HEAT SHIELD,LH (Ref # 11056A)        | 11056-3781     | 1        |
| BOLT-FLANGED,5X10 (Ref # 130)                | 130BB0510      | 1        |
| BRACKET-ENGINE,CR CASE UPP,BLK (Ref # 32190) | 32190-0458-18R | 1        |
| BRACKET-ENGINE,LH (Ref # 32190A)             | 32190-0582     | 1        |
| BRACKET-ENGINE,RH (Ref # 32190B)             | 32190-0583     | 1        |
| BRACKET-ENGINE,LH,F.S.BLACK (Ref # 32190C)   | 32190-0648-18R | 1        |
| BRACKET-ENGINE,RH,F.S.BLACK (Ref # 32190D)   | 32190-0649-18R | 1        |
| WASHER-PLAIN,10MM,BLACK (Ref # 411)          | 411AB1000      | 1        |
| NUT,FLANGED,10MM (Ref # 92015)               | 92015-1180     | 1        |
| DAMPER (Ref # 92075)                         | 92075-1898     | 1        |
| COLLAR,11X26X56.5 (Ref # 92152)              | 92152-0853     | 1        |
| BOLT,SOCKET,20X43 (Ref # 92153)              | 92153-0488     | 1        |
| BOLT,FLANGED,10X35 (Ref # 92153A)            | 92153-0802     | 1        |
| BOLT,FLANGED,8X20 (Ref # 92153B)             | 92153-1554     | 1        |
| BOLT,ENGINE MOUNT,18X53.5 (Ref # 92154)      | 92154-0267     | 1        |
| BOLT,FLANGED,10X270 (Ref # 92154A)           | 92154-0268     | 1        |
| BOLT,FLANGED,10X65 (Ref # 92154B)            | 92154-0312     | 1        |
| BOLT,FLANGED,10X40 (Ref # 92154C)            | 92154-0313     | 1        |
| BOLT,FLANGED,10X75 (Ref # 92154D)            | 92154-0449     | 1        |
| BOLT,FLANGED,8X35 (Ref # 92154E)             | 92154-0742     | 1        |
| BOLT,FLANGED,8X20 (Ref # 92154F)             | 92154-0749     | 1        |
| BOLT,FLANGED,10X255 (Ref # 92154G)           | 92154-0827     | 1        |
| CLAMP,20MM DIA. (Ref # 92171)                | 92171-0069     | 1        |
| CLAMP (Ref # 92173)                          | 92173-0742     | 1        |
| NUT,20MM (Ref # 92210)                       | 92210-0591     | 1        |
| NUT,18MM (Ref # 92210A)                      | 92210-1203     | 1        |