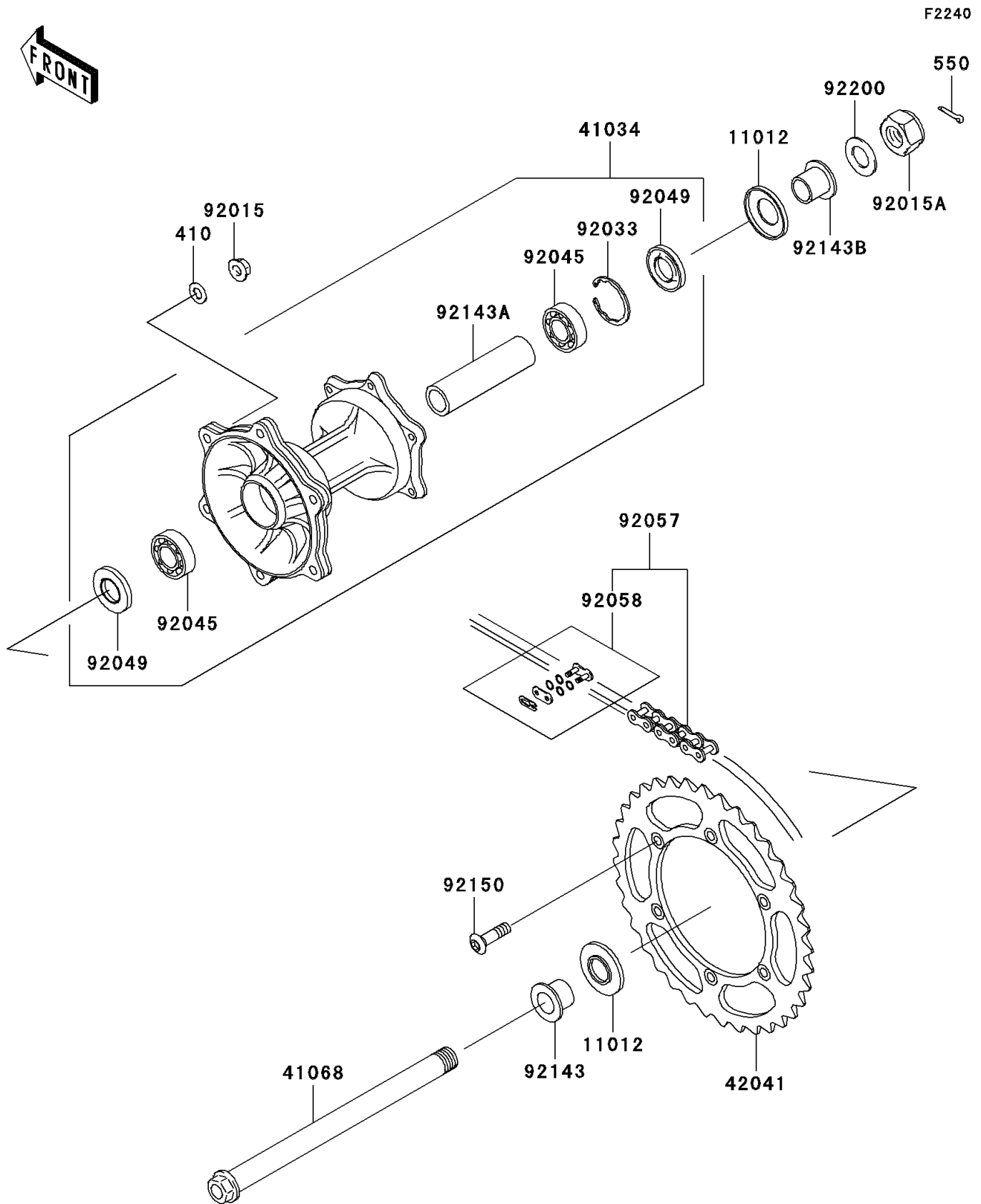


2006 KLX[®]250S PARTS DIAGRAM

Rear Hub



2006 KLX[®]250S PARTS LIST

Rear Hub

ITEM NAME	PART NUMBER	QUANTITY
WASHER-PLAIN-SMALL,8MM (Ref # 410)	410B0800	1
PIN-COTTER,3.0X25 (Ref # 550)	550D3025	1
CAP,AXLE (Ref # 11012)	11012-1581	1
DRUM-ASSY,REAR BRAKE (Ref # 41034)	41034-1216	1
AXLE,RR (Ref # 41068)	41068-0014	1
SPROCKET-HUB,42T (Ref # 42041)	42041-1421	1
NUT,8MM (Ref # 92015)	92015-1432	1
NUT,LOCK,20MM (Ref # 92015A)	92015-1770	1
RING-SNAP,42MM (Ref # 92033)	92033-1041	1
BEARING-BALL,6004X8JRLX2/3A (Ref # 92045)	92045-1239	1
SEAL-OIL,BJNC2 25425 (Ref # 92049)	92049-1203	1
CHAIN,DRIVE,EK520LV-OX106L (Ref # 92057)	92057-1367	1
JOINT-CHAIN,DRIVE,EK (Ref # 92058)	92058-1070	1
COLLAR,RR AXLE,L=22 (Ref # 92143)	92143-1259	1
COLLAR,RR BRAKE DRUM,L=105 (Ref # 92143A)	92143-1402	1
COLLAR,RR AXLE,RH,L=20 (Ref # 92143B)	92143-1840	1
BOLT,SOCKET,8X28 (Ref # 92150)	92150-1978	1
WASHER,20.2X36X2 (Ref # 92200)	92200-1146	1