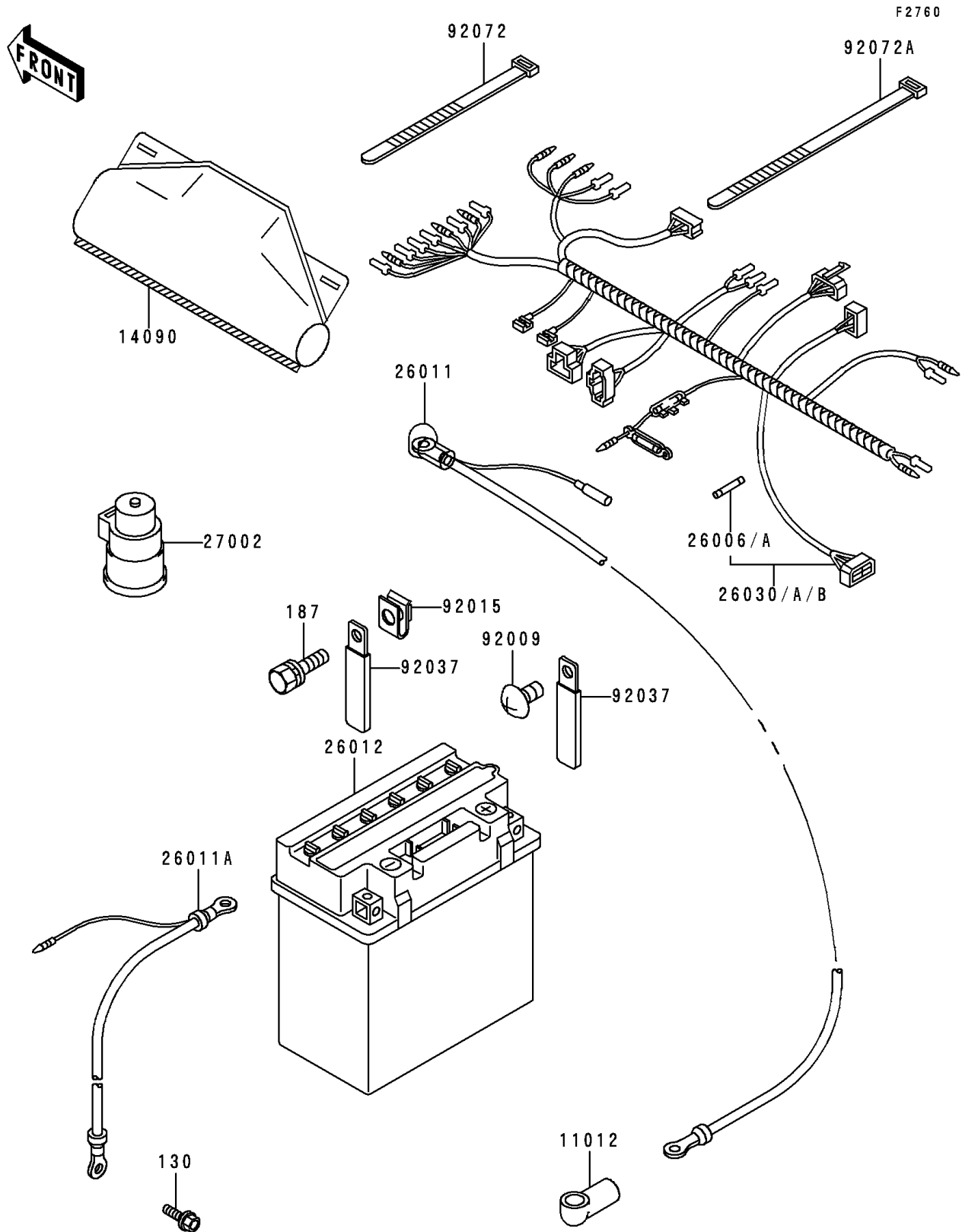


1996 Bayou® 400 4x4 PARTS DIAGRAM

Chassis Electrical Equipment



1996 Bayou® 400 4x4 PARTS LIST

Chassis Electrical Equipment

ITEM NAME	PART NUMBER	QUANTITY
BOLT-FLANGED,6X10 (Ref # 130)	130B0610	1
BOLT-UPSET-WSP (Ref # 187)	187C0614	1
CAP,TERMINAL (Ref # 11012)	11012-1354	1
COVER,COUPLER (Ref # 14090)	14090-1611	1
FUSE,30A,L=30 (Ref # 26006)	26006-1059	1
FUSE,8A,L=30 (Ref # 26006A)	26006-1062	1
WIRE-LEAD,BATTERY(+) (Ref # 26011)	26011-1513	1
WIRE-LEAD,BATTERY(-) (Ref # 26011A)	26011-1514	1
BATTERY,YB16CL-B,12V 19AH (Ref # 26012)	26012-1242	1
HARNESS,MAIN (Ref # 26030)	26030-1411	1
RELAY-ASSY (Ref # 27002)	27002-1095	1
SCREW,TAPPING,4X8 (Ref # 92009)	92009-1155	1
NUT,6MM (Ref # 92015)	92015-1671	1
CLAMP,WIRING HARNESS,L=60 (Ref # 92037)	92037-1069	1
BAND,L=123 (Ref # 92072)	92072-030	1
BAND,L=188 (Ref # 92072A)	92072-1239	1