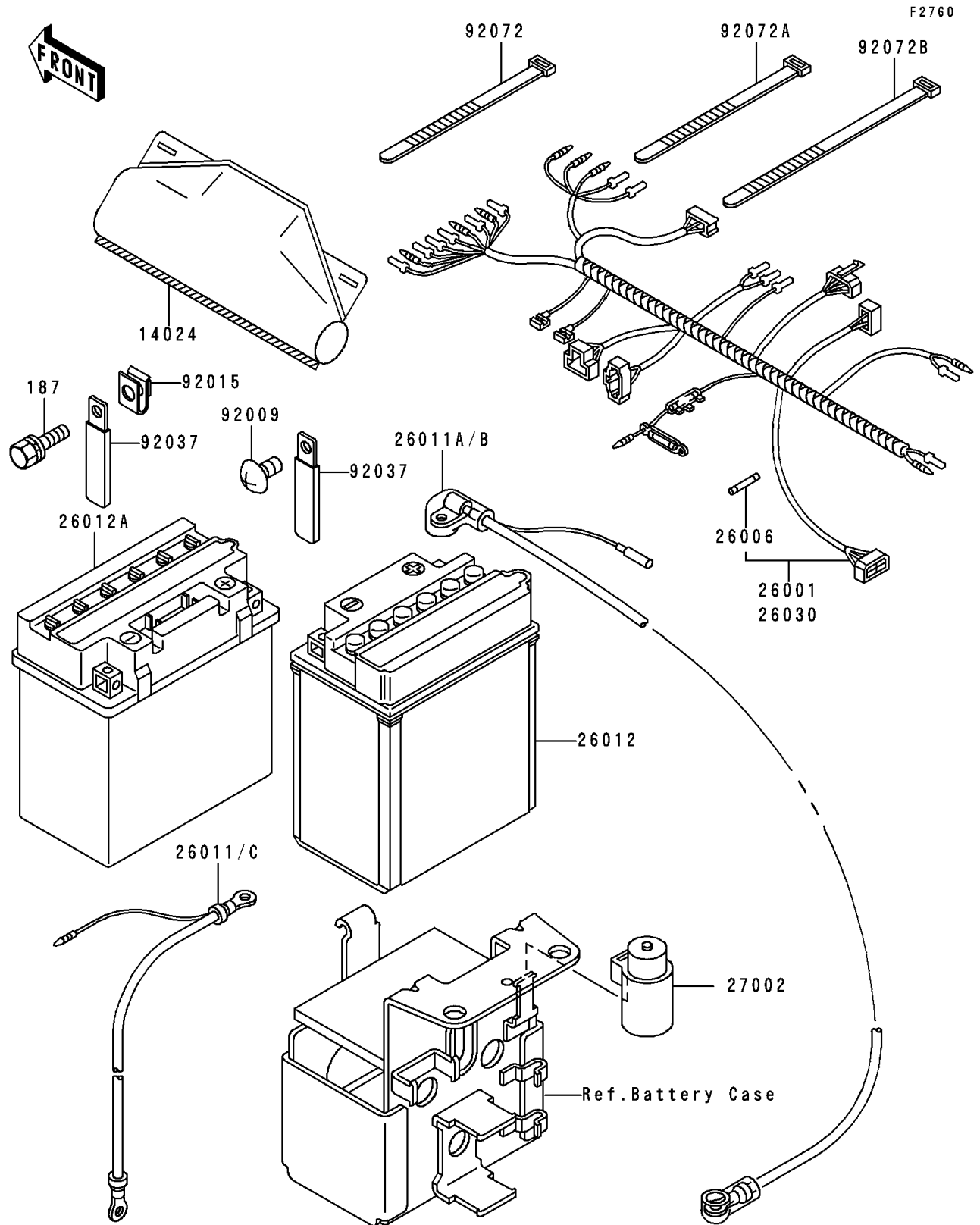


## 1989 Bayou® 300 4x4 PARTS DIAGRAM

Chassis Electrical Equipment



## 1989 Bayou® 300 4x4 PARTS LIST

Chassis Electrical Equipment

ITEM NAME	PART NUMBER	QUANTITY
BOLT-UPSET-WSP (Ref # 187)	187C0614	1
COVER,COUPLER (Ref # 14024)	14024-1624	1
HARNESS,MAIN (Ref # 26001)	26001-1895	1
FUSE,30A,L=30 (Ref # 26006)	26006-1059	1
WIRE-LEAD,BATTERY(-) (Ref # 26011)	26011-1303	1
WIRE-LEAD,BATTERY(+) (Ref # 26011A)	26011-1418	1
BATTERY,12V 14AH,YB14A-A2 (Ref # 26012)	26012-1146	1
SCREW,TAPPING,4X8 (Ref # 92009)	92009-1155	1
NUT,6MM (Ref # 92015)	92015-1671	1
CLAMP,WIRING HARNESS (Ref # 92037)	92037-1069	1
BAND,L=123 (Ref # 92072)	92072-030	1
BAND,L=149 (Ref # 92072A)	92072-031	1
BAND,L=188 (Ref # 92072B)	92072-1239	1
RELAY-ASSY (Ref # 27002)	27002-1051	1