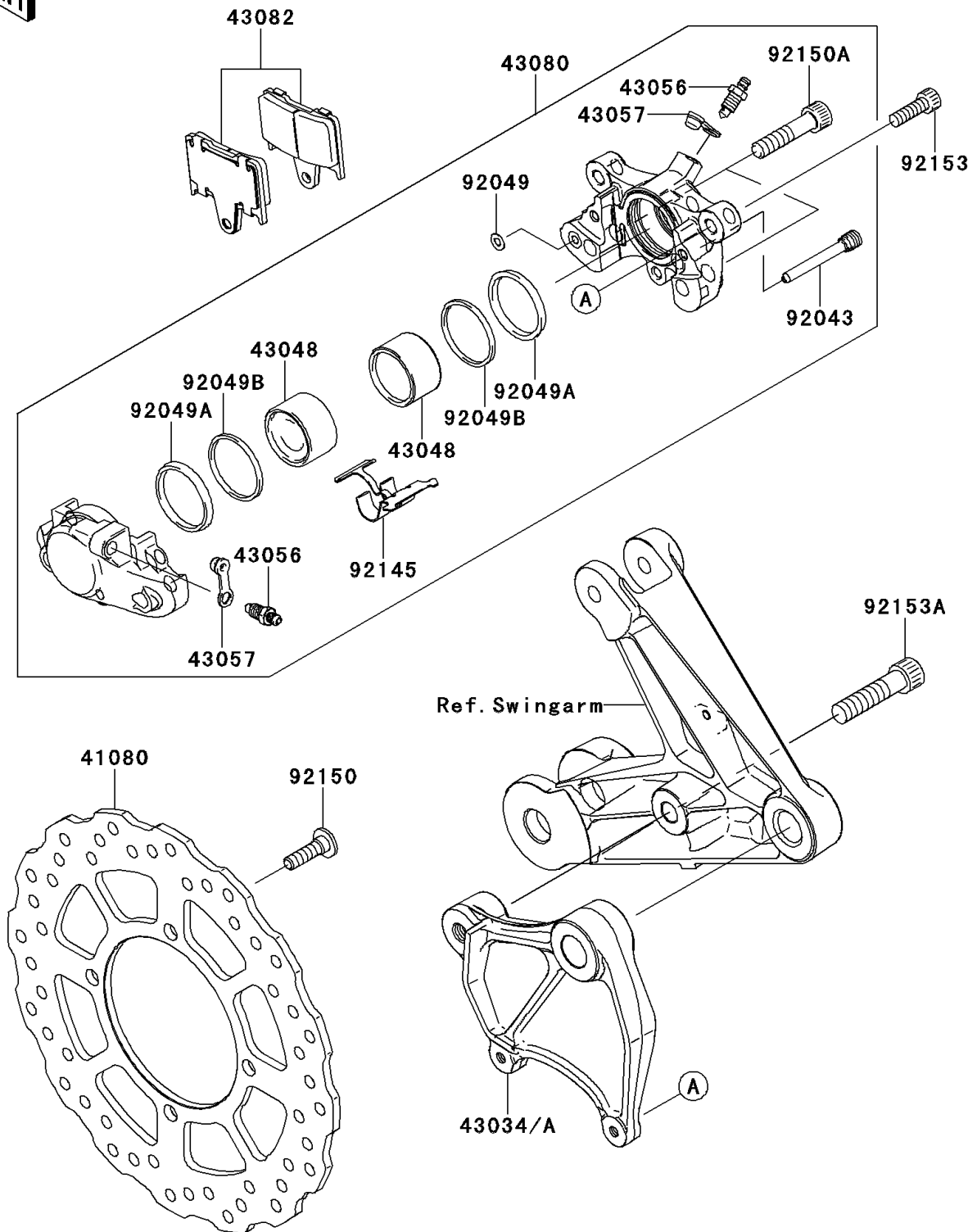


2008 Concours™ 14 PARTS DIAGRAM

Rear Brake

F2294



2008 Concours™ 14 PARTS LIST

Rear Brake

| ITEM NAME | PART NUMBER | QUANTITY |
|---|---------------|----------|
| DISC,RR (Ref # 41080) | 41080-0106 | 1 |
| HOLDER-BRAKE,REAR CALIPER (Ref # 43034) | 43034-0020 | 1 |
| PISTON-CALIPER (Ref # 43048) | 43048-0006 | 1 |
| BREATHER (Ref # 43056) | 43056-1055 | 1 |
| CAP-BREATHER (Ref # 43057) | 43057-1001 | 1 |
| CALIPER-SUB-ASSY,RR,BLACK (Ref # 43080) | 43080-0040-DJ | 1 |
| PAD-ASSY-BRAKE (Ref # 43082) | 43082-0055 | 1 |
| PIN,PAD (Ref # 92043) | 92043-0106 | 1 |
| SEAL-OIL (Ref # 92049) | 92049-1448 | 1 |
| SEAL-OIL (Ref # 92049A) | 92049-1449 | 1 |
| SEAL-OIL (Ref # 92049B) | 92049-1450 | 1 |
| SPRING,PAD (Ref # 92145) | 92145-0379 | 1 |
| BOLT,SOCKET,8X30 (Ref # 92150) | 92150-1771 | 1 |
| BOLT (Ref # 92150A) | 92150-1972 | 1 |
| BOLT,SOCKET,8X25 (Ref # 92153) | 92153-1625 | 1 |
| BOLT,SOCKET,12X50 (Ref # 92153A) | 92153-1781 | 1 |