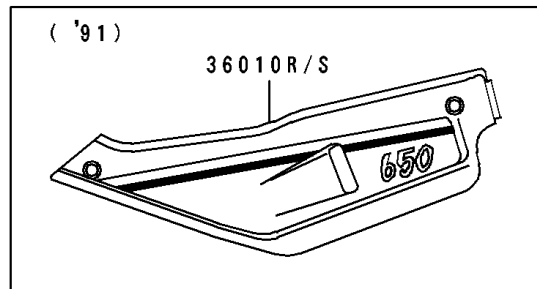
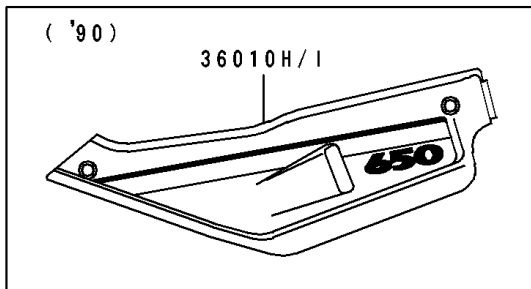
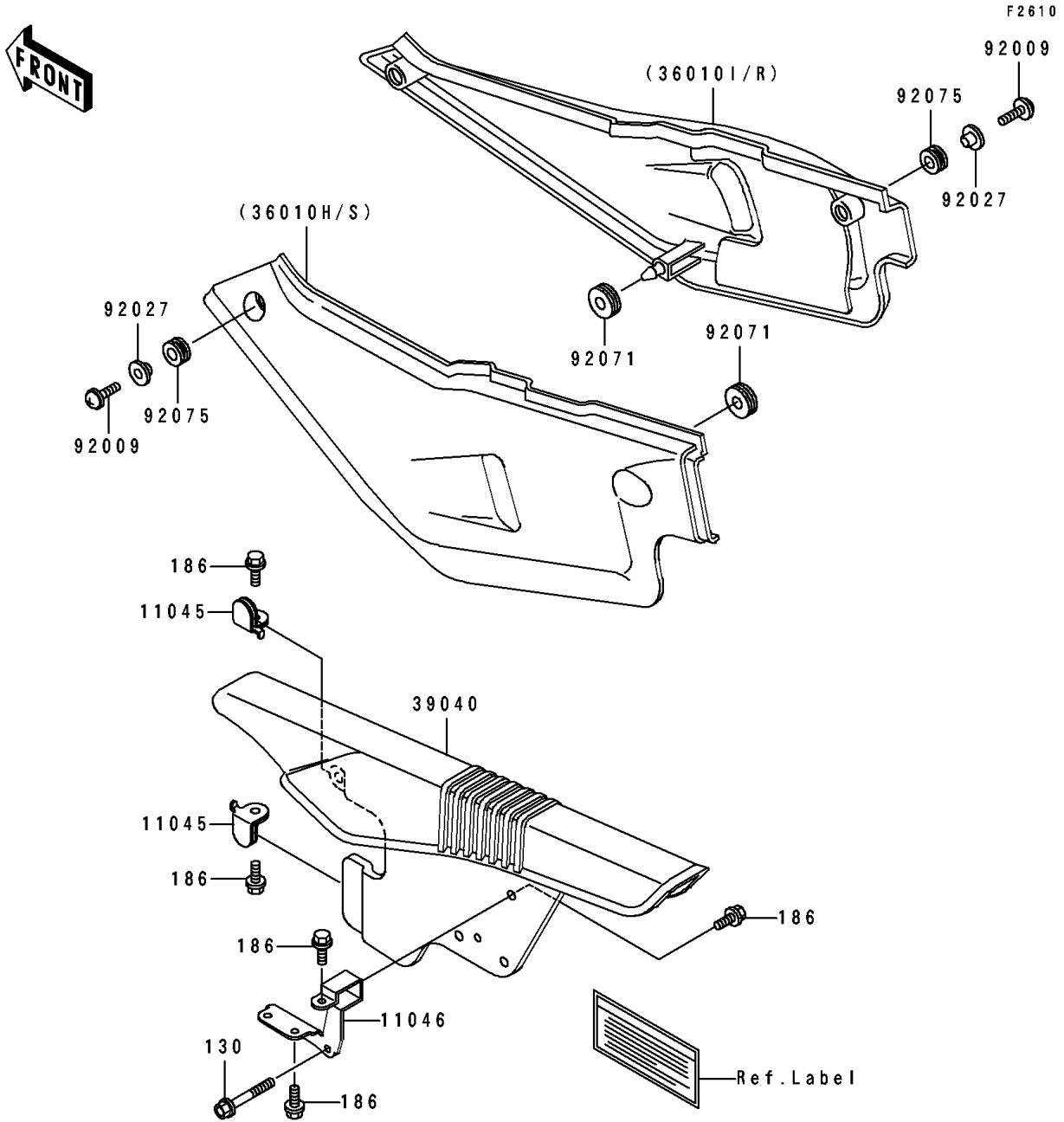


## 1990 Tengai™ PARTS DIAGRAM

Side Cover/Chain Case



## 1990 Tengai™ PARTS LIST

Side Cover/Chain Case

ITEM NAME	PART NUMBER	QUANTITY
BRACKET,CHAIN CASE,FR (Ref # 11045)	11045-1335	1
BRACKET,CHAIN CASE,RR (Ref # 11046)	11046-1391	1
COVER-SIDE,LH,P.A.WHITE (Ref # 36010H)	36010-5291-R1	1
COVER-SIDE,RH,P.A.WHITE (Ref # 36010I)	36010-5292-R1	1
COVER-ASSY-CHAIN CASE (Ref # 39040)	39040-1054	1
SCREW,6X18,WHITE (Ref # 92009)	92009-1111	1
COLLAR,L=9.1,WHITE (Ref # 92027)	92027-1795	1
GROMMET (Ref # 92071)	92071-056	1
DAMPER (Ref # 92075)	92075-1634	1
BOLT-FLANGED (Ref # 130)	130H0640	1
BOLT-UPSET-WP (Ref # 186)	186C0612	1