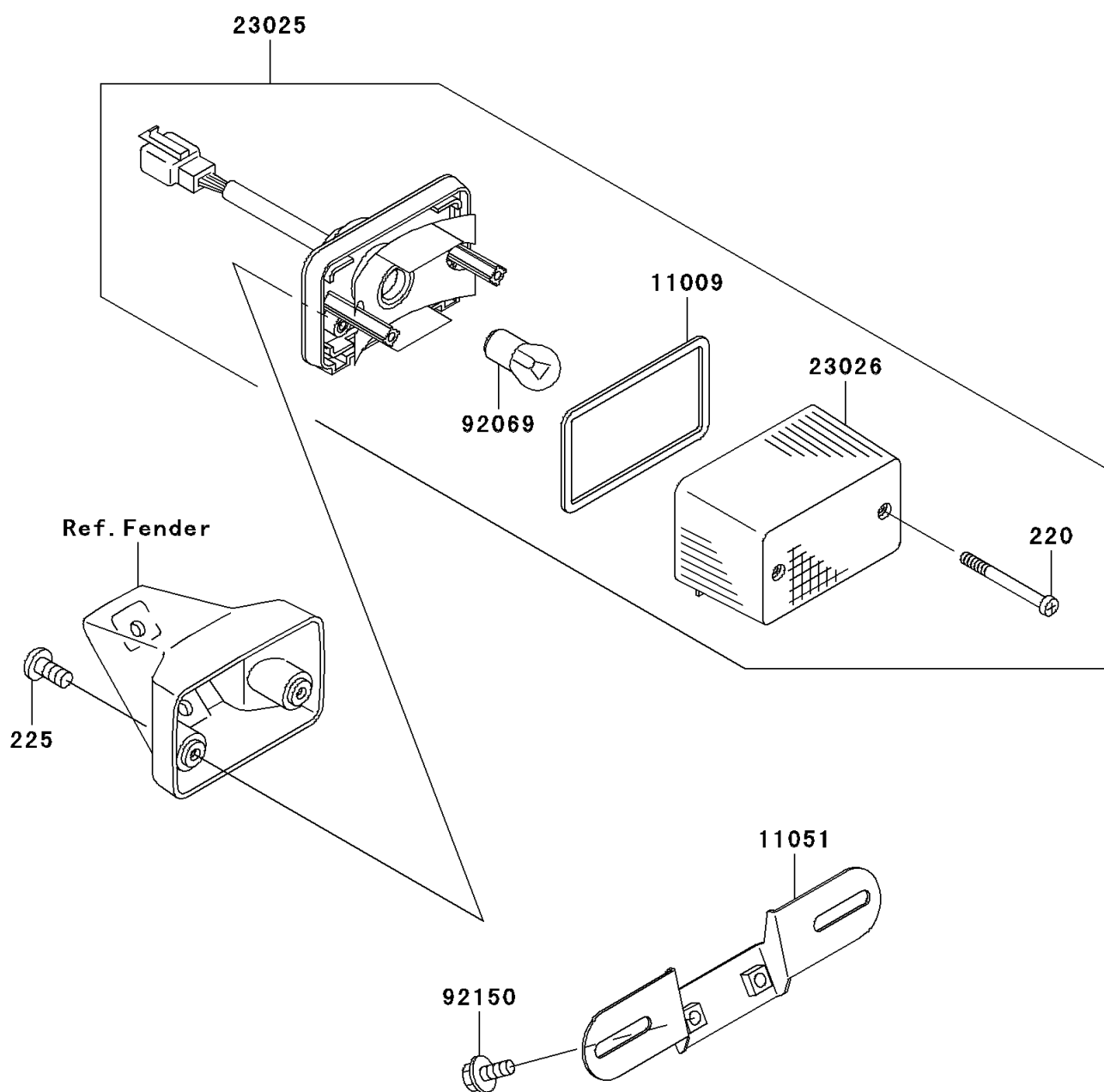


2000 Super Sherpa® PARTS DIAGRAM

Taillight(s)

F2720



2000 Super Sherpa® PARTS LIST

Taillight(s)

ITEM NAME	PART NUMBER	QUANTITY
SCREW-PAN-CROSS (Ref # 220)	220C0440	1
SCREW-PAN-WSP-CROS (Ref # 225)	225C0614	1
GASKET,TAIL LAMP LENS (Ref # 11009)	11009-1078	1
BRACKET,LICENSE (Ref # 11051)	11051-1348	1
LAMP-TAIL (Ref # 23025)	23025-1287	1
LENS,TAIL LAMP (Ref # 23026)	23026-1003	1
BULB,12V 21/5W (Ref # 92069)	92069-063	1
BOLT,6X16 (Ref # 92150)	92150-1909	1