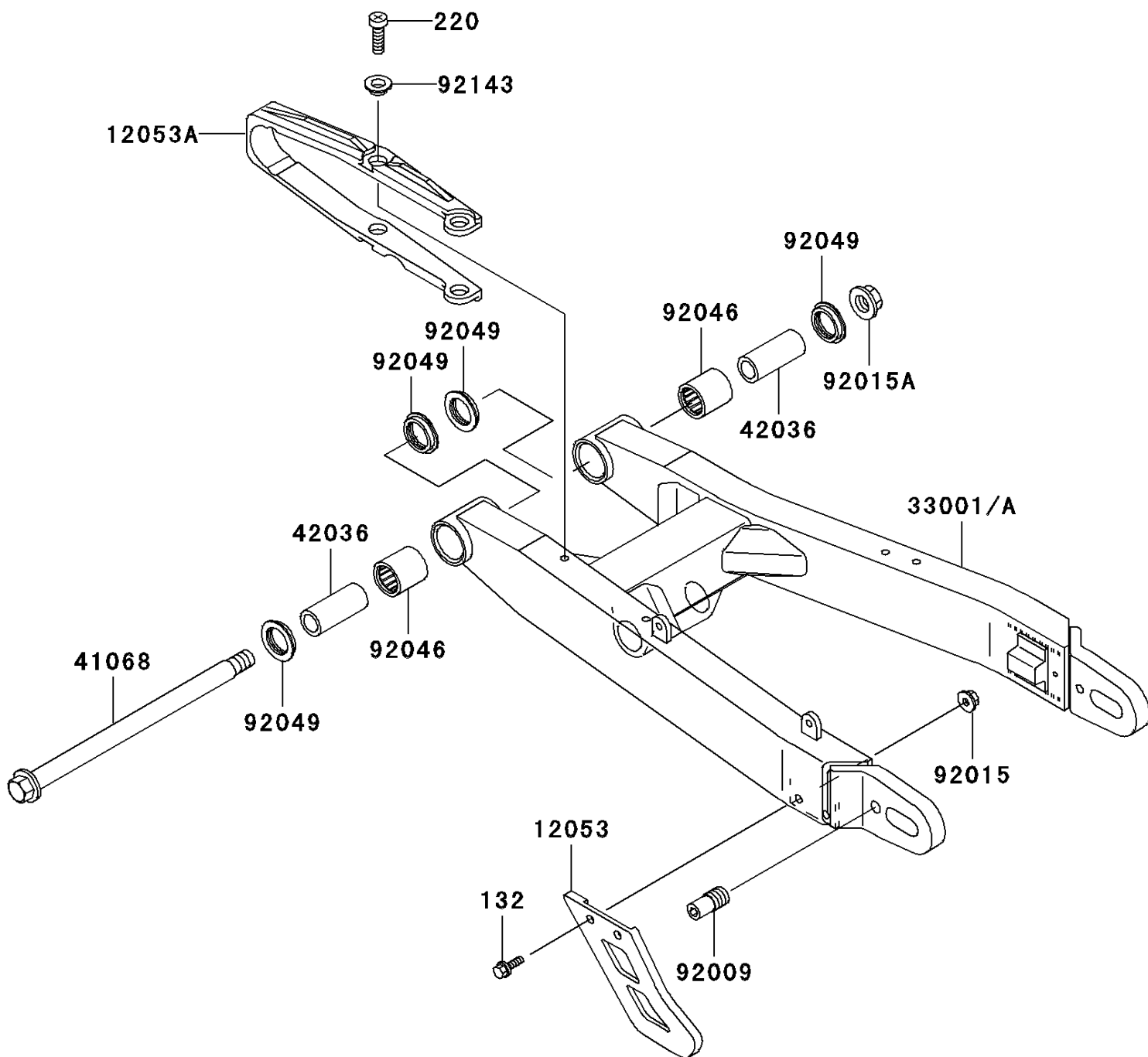


## 2000 Super Sherpa® PARTS DIAGRAM

Swingarm

F2141



## 2000 Super Sherpa® PARTS LIST

Swingarm

ITEM NAME	PART NUMBER	QUANTITY
BOLT-FLANGED-SMALL,6X16 (Ref # 132)	132V0616	1
SCREW-PAN-CROS,6X8 (Ref # 220)	220B0608	1
GUIDE-CHAIN,RR (Ref # 12053)	12053-1389	1
GUIDE-CHAIN,FR (Ref # 12053A)	12053-1392	1
ARM-COMP-SWING,SILVER (Ref # 33001A)	33001-1526-TX	1
AXLE,FR,15X242 (Ref # 41068)	41068-1078	1
SLEEVE,15.1X22X52 (Ref # 42036)	42036-1335	1
SCREW,SET,SOCKET,10X21 (Ref # 92009)	92009-1789	1
NUT,FLANGED,6MM (Ref # 92015)	92015-1078	1
NUT,14MM (Ref # 92015A)	92015-1407	1
BEARING-NEEDLE,TA2230Z (Ref # 92046)	92046-1174	1
SEAL-OIL,MHA22X29X5.7F (Ref # 92049)	92049-1289	1
COLLAR (Ref # 92143)	92143-1156	1