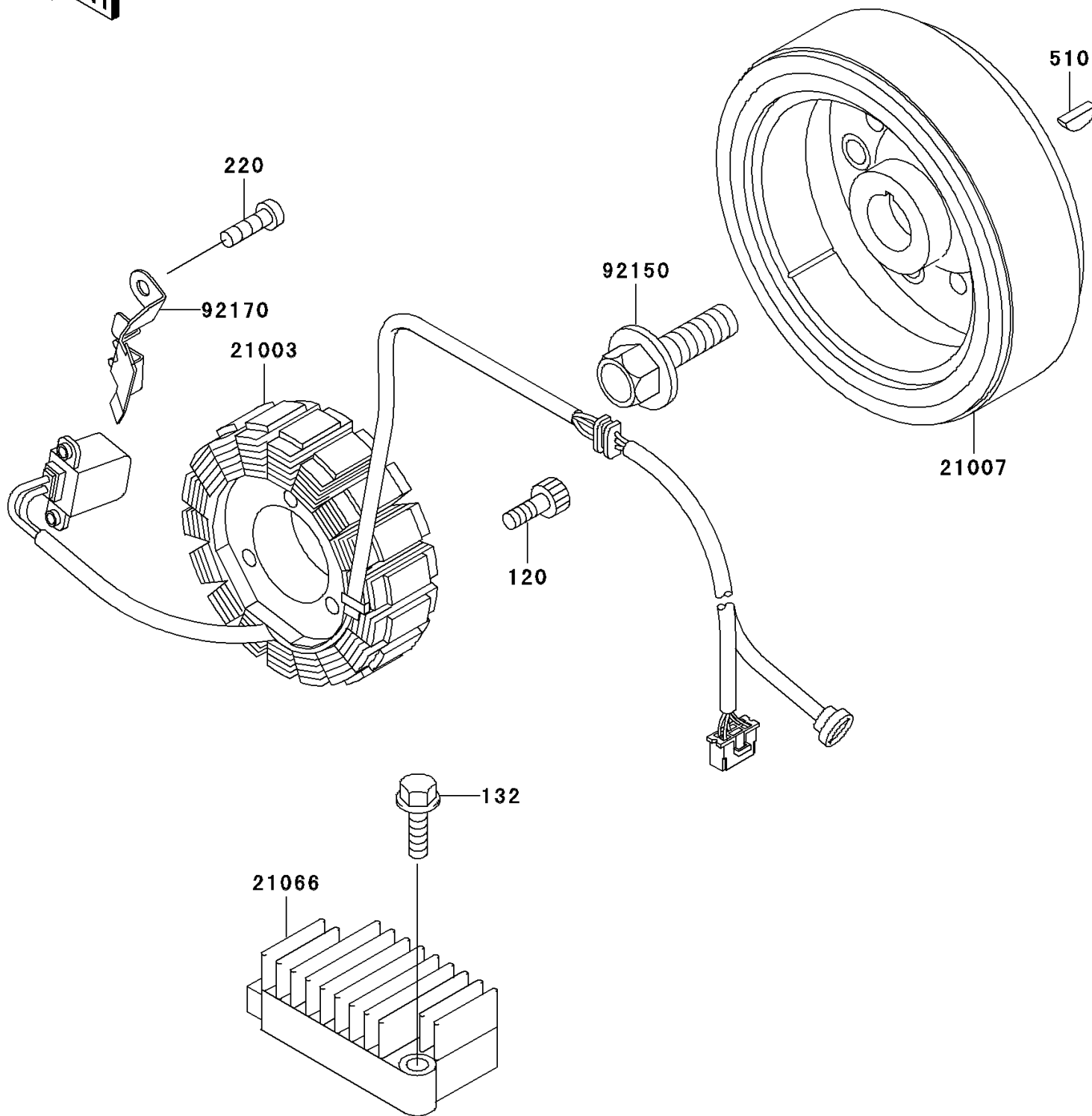


## 2000 Super Sherpa® PARTS DIAGRAM

Generator

E1810



## 2000 Super Sherpa® PARTS LIST

Generator

ITEM NAME	PART NUMBER	QUANTITY
BOLT-SOCKET,5X30 (Ref # 120)	120P0530	1
BOLT-FLANGED-SMALL (Ref # 132)	132J0625	1
SCREW-PAN-CROS (Ref # 220)	220B0512	1
KEY-WOODRUFF (Ref # 510)	510A3100	1
STATOR (Ref # 21003)	21003-1312	1
ROTOR,MAGNETO (Ref # 21007)	21007-1273	1
REGULATOR-VOLTAGE (Ref # 21066)	21066-1108	1
BOLT,12X50 (Ref # 92150)	92150-1708	1
CLAMP (Ref # 92170)	92170-1346	1