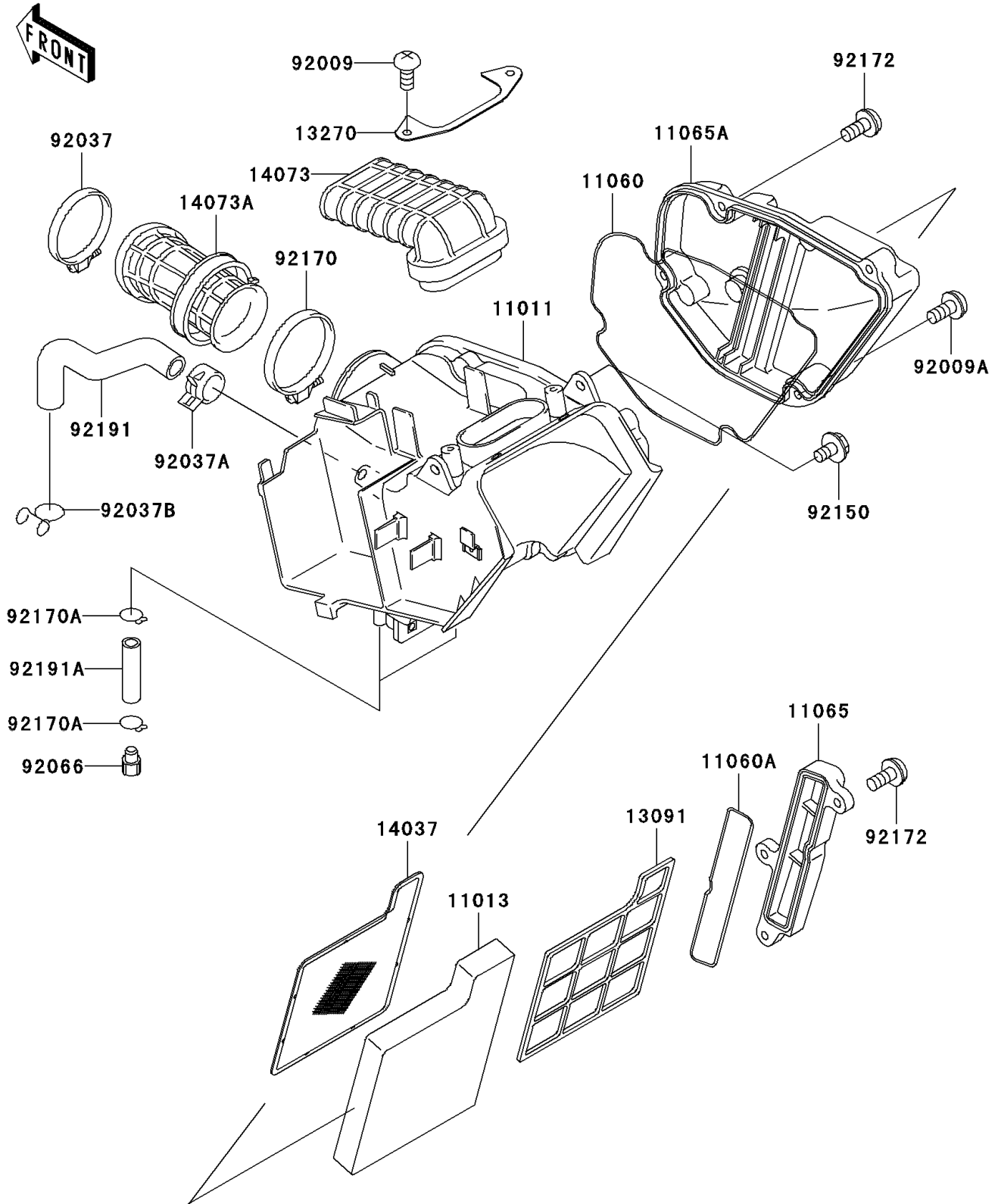


## 2000 Super Sherpa® PARTS DIAGRAM

Air Cleaner

E1130



## 2000 Super Sherpa® PARTS LIST

Air Cleaner

ITEM NAME	PART NUMBER	QUANTITY
CASE-AIR FILTER (Ref # 11011)	11011-1625	1
ELEMENT-AIR FILTER (Ref # 11013)	11013-1265	1
GASKET,AIR FILTER (Ref # 11060)	11060-1773	1
GASKET,AIR FILTER CAP (Ref # 11060A)	11060-1799	1
CAP,AIR FILTER (Ref # 11065)	11065-1066	1
CAP,AIR FILTER (Ref # 11065A)	11065-1191	1
HOLDER (Ref # 13091)	13091-1989	1
PLATE (Ref # 13270)	13270-1880	1
SCREEN (Ref # 14037)	14037-1236	1
DUCT,AIR INTAKE (Ref # 14073)	14073-1689	1
DUCT,AIR OUTLET (Ref # 14073A)	14073-1709	1
SCREW,TAPPING (Ref # 92009)	92009-1113	1
SCREW,6X28,BLACK (Ref # 92009A)	92009-1400	1
CLAMP (Ref # 92037)	92037-1554	1
CLAMP (Ref # 92037A)	92037-1860	1
CLAMP,TUBE (Ref # 92037B)	92037-213	1
PLUG,DRAIN (Ref # 92066)	92066-1475	1
BOLT,6X12 (Ref # 92150)	92150-1435	1
CLAMP (Ref # 92170)	92170-1760	1
CLAMP (Ref # 92170A)	92170-1796	1
SCREW,6X18 (Ref # 92172)	92172-0002	1
TUBE,BREATHER (Ref # 92191)	92191-1128	1
TUBE,8X12X50 (Ref # 92191A)	92191-1172	1