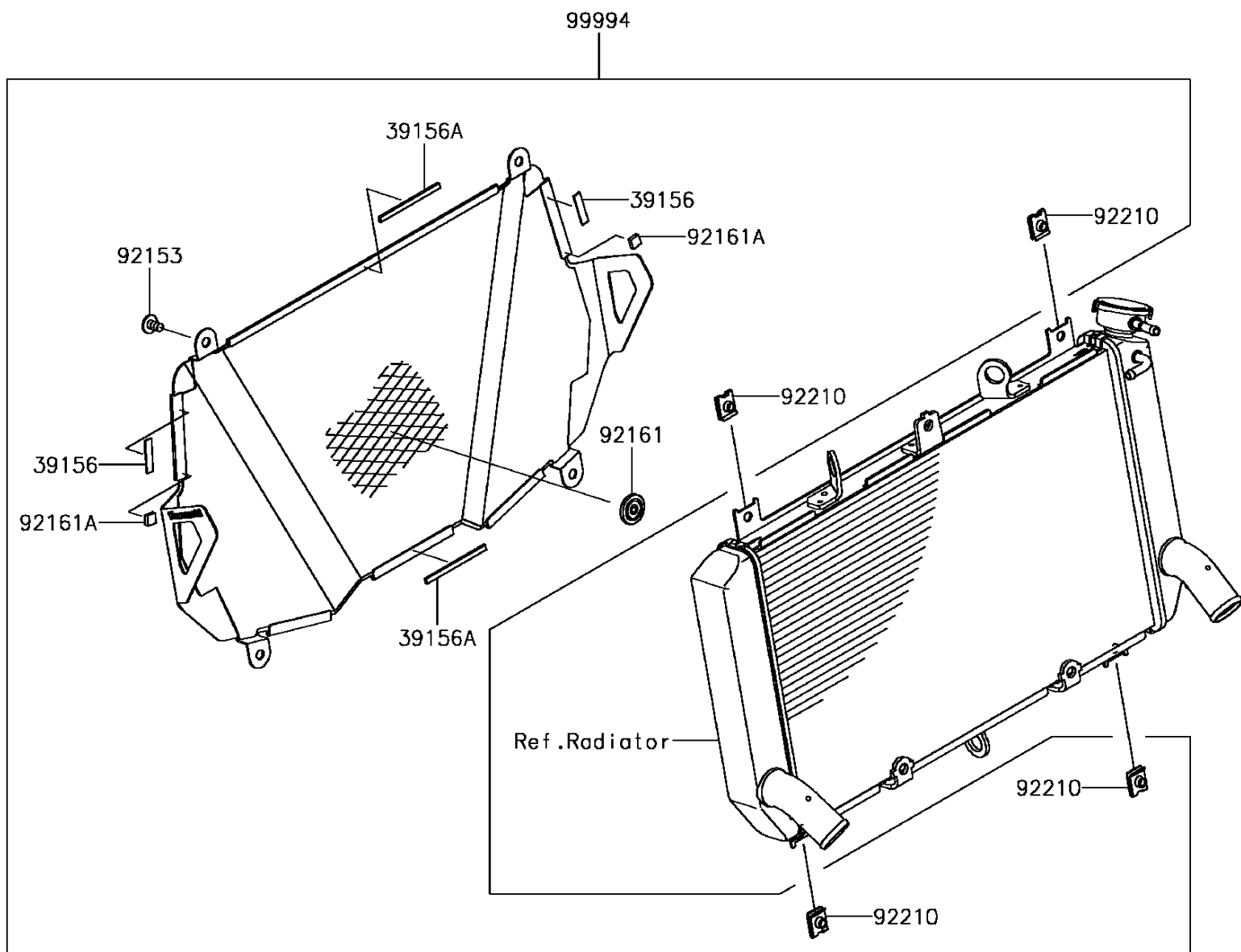


2017 PARTS DIAGRAM

Accessory(Radiator Screen)

F2910A



2017 PARTS LIST

Accessory(Radiator Screen)

ITEM NAME	PART NUMBER	QUANTITY
PAD,6X25X1 (Ref # 39156)	39156-2167	1
PAD,4X60X2 (Ref # 39156A)	39156-2189	1
BOLT,SOCKET,6X10 (Ref # 92153)	92153-1527	1
DAMPER,8X22X10 (Ref # 92161)	92161-1685	1
DAMPER (Ref # 92161A)	92161-1976	1
NUT (Ref # 92210)	92210-1518	1
KIT-ACCESSORY,SE RAD. SCREEN (Ref # 99994)	99994-0871	1