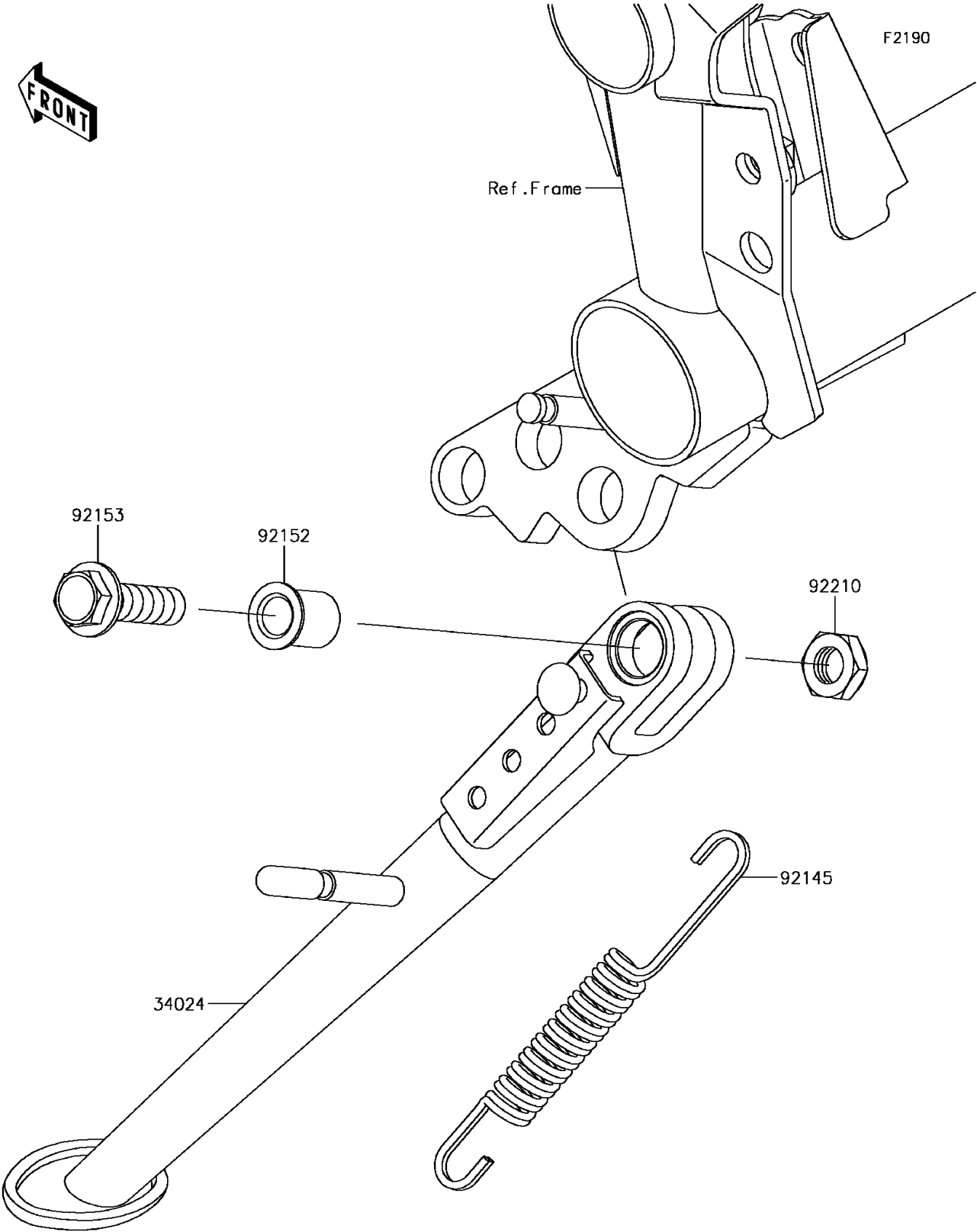


2017 PARTS DIAGRAM

Stand(s)



2017 PARTS LIST

Stand(s)

ITEM NAME	PART NUMBER	QUANTITY
STAND-SIDE,F.S.BLACK (Ref # 34024)	34024-0141-18R	1
SPRING,SIDE STAND (Ref # 92145)	92145-0562	1
COLLAR,10.2X15X18.6 (Ref # 92152)	92152-2248	1
BOLT,FLANGED,10X35 (Ref # 92153)	92153-0802	1
NUT,LOCK,10MM (Ref # 92210)	92210-0784	1