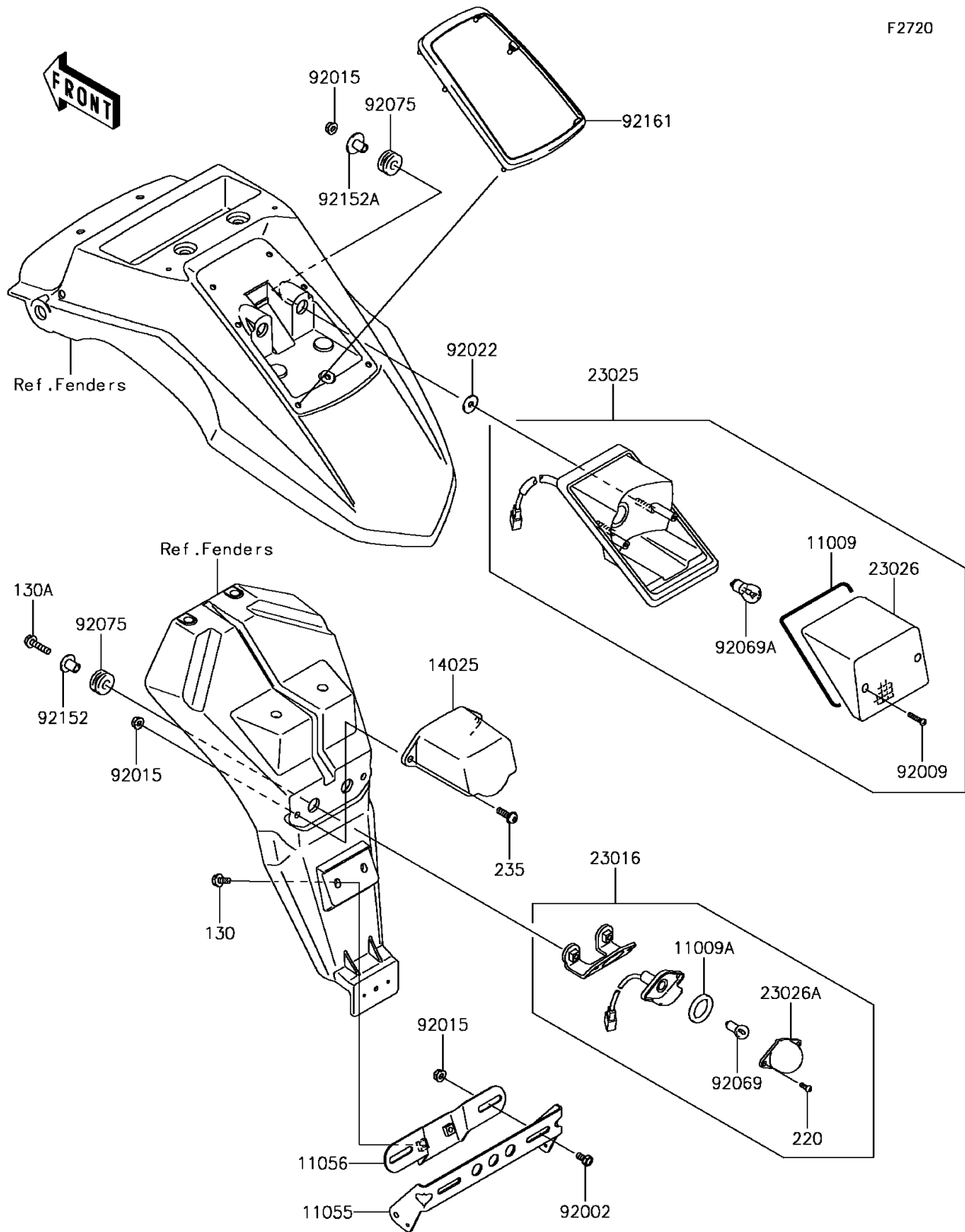


2015 KLR™650 PARTS DIAGRAM

Taillight(s)



2015 KLR™650 PARTS LIST

Taillight(s)

ITEM NAME	PART NUMBER	QUANTITY
BOLT-FLANGED,6X12 (Ref # 130)	130BB0612	1
BOLT-FLANGED,6X25 (Ref # 130A)	130BB0625	1
SCREW-PAN-CROS,4X10 (Ref # 220)	220AA0410	1
SCREW-PAN-WP-CROS,6X20 (Ref # 235)	235AB0620	1
GASKET,TAIL LAMP (Ref # 11009)	11009-1371	1
GASKET,LICENSE PLATE LAMP (Ref # 11009A)	11009-1372	1
BRACKET,REFLECTOR (Ref # 11055)	11055-1092	1
BRACKET,LICENSE PLATE (Ref # 11056)	11056-0139	1
COVER,LICENSE PLATE LAMP (Ref # 14025)	14025-1821	1
LAMP-ASSY,LICENSE (Ref # 23016)	23016-0011	1
LAMP-TAIL (Ref # 23025)	23025-0031	1
LENS,TAIL LAMP (Ref # 23026)	23026-1053	1
LENS,LAMP (Ref # 23026A)	23026-1054	1
BOLT,6X12 (Ref # 92002)	92002-1132	1
SCREW,TAPPING,4X20 (Ref # 92009)	92009-1378	1
NUT,FLANGED,6MM (Ref # 92015)	92015-1367	1
WASHER,6.5X20X1.6 (Ref # 92022)	92022-1557	1
BULB,12V 5W (Ref # 92069)	92069-1055	1
BULB,12V 21/5W (Ref # 92069A)	92069-1084	1
DAMPER,10X24X12 (Ref # 92075)	92075-1690	1
COLLAR (Ref # 92152)	92152-0344	1
COLLAR (Ref # 92152A)	92152-0562	1
DAMPER,TAIL LAMP (Ref # 92161)	92161-0504	1