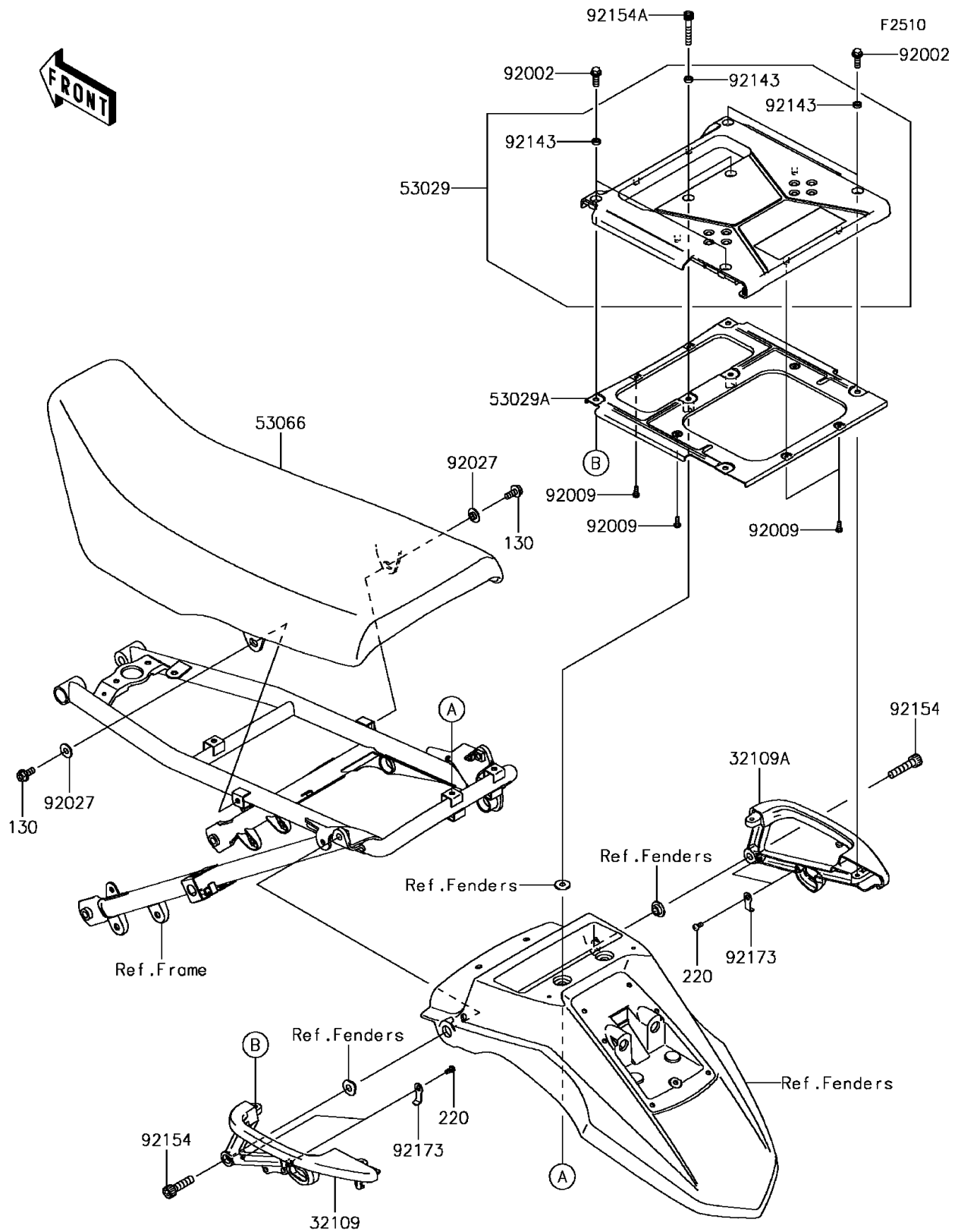


## 2015 KLR™650 PARTS DIAGRAM

Seat



## 2015 KLR™650 PARTS LIST

Seat

ITEM NAME	PART NUMBER	QUANTITY
BOLT-FLANGED,6X14 (Ref # 130)	130BA0614	1
SCREW-PAN-CROS,4X8 (Ref # 220)	220AB0408	1
GRIP-FRAME,LH,F.S.BLACK (Ref # 32109)	32109-0018-18R	1
GRIP-FRAME,RH,F.S.BLACK (Ref # 32109A)	32109-0019-18R	1
CARRIER,UPP (Ref # 53029)	53029-0046	1
CARRIER,LWR (Ref # 53029A)	53029-0047	1
SEAT-ASSY,DUAL,BLACK/GRAY (Ref # 53066)	53066-0461-49K	1
BOLT,6X16 (Ref # 92002)	92002-1933	1
SCREW,TAPPING,4X10 (Ref # 92009)	92009-1040	1
COLLAR (Ref # 92027)	92027-1794	1
COLLAR (Ref # 92143)	92143-1307	1
BOLT,SOCKET,8X35 (Ref # 92154)	92154-0367	1
BOLT,SOCKET,6X35 (Ref # 92154A)	92154-0368	1
CLAMP (Ref # 92173)	92173-0210	1