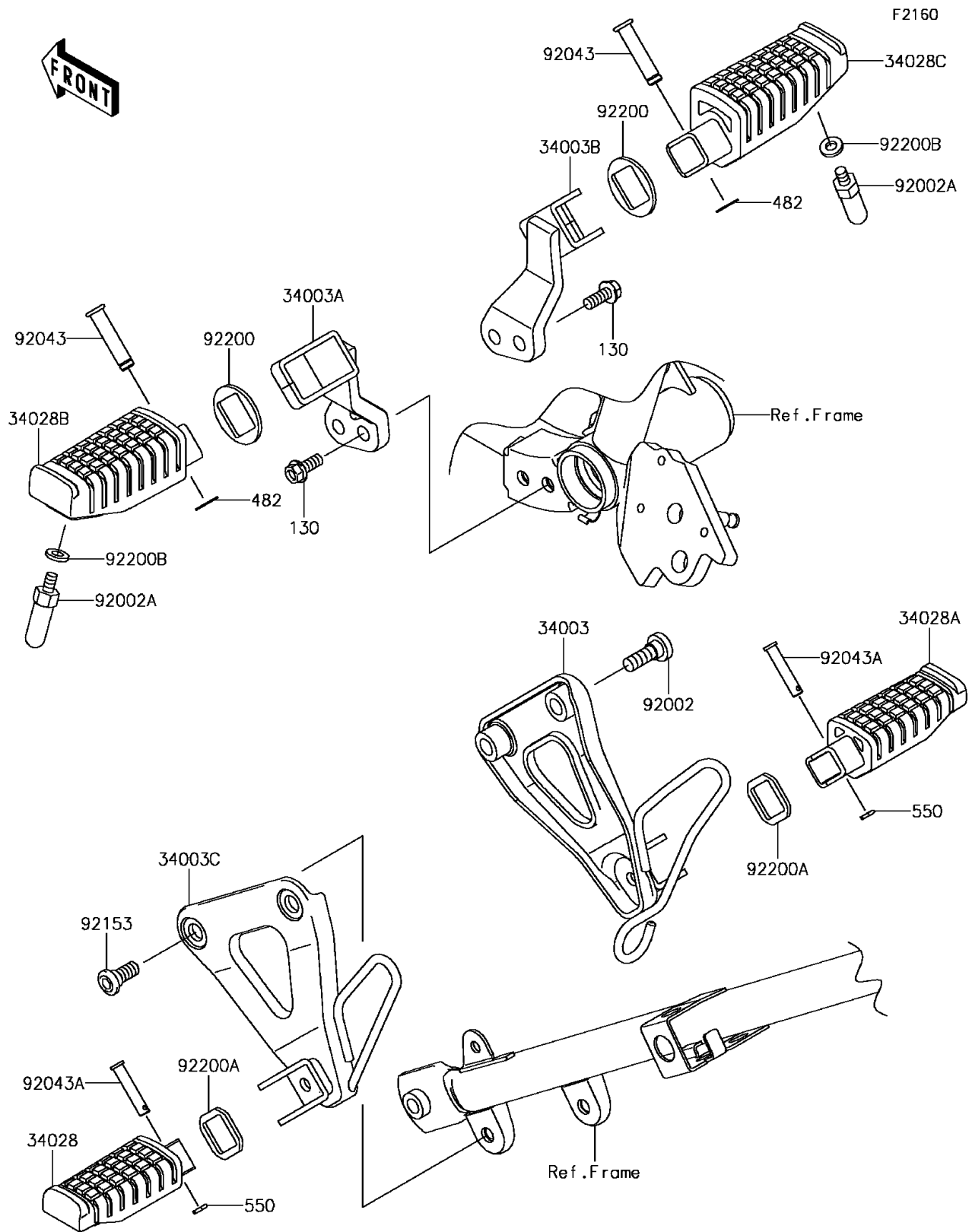


2015 KLR™650 PARTS DIAGRAM

Footrests



2015 KLR™650 PARTS LIST

Footrests

| ITEM NAME | PART NUMBER | QUANTITY |
|--|----------------|----------|
| BOLT-FLANGED,8X20 (Ref # 130) | 130CA0820 | 1 |
| CIRCLIP-TYPE-E (Ref # 482) | 482EA7000 | 1 |
| PIN-COTTER,2.0X15 (Ref # 550) | 550AA2015 | 1 |
| HOLDER-STEP,RR,RH,F.S.BLACK (Ref # 34003) | 34003-0054-18R | 1 |
| HOLDER-STEP,FR,LH,F.S.BLACK (Ref # 34003A) | 34003-0108-18R | 1 |
| HOLDER-STEP,FR,RH,F.S.BLACK (Ref # 34003B) | 34003-0109-18R | 1 |
| HOLDER-STEP,RR,LH,F.S.BLACK (Ref # 34003C) | 34003-1275-18R | 1 |
| STEP,RR,LH (Ref # 34028) | 34028-0134 | 1 |
| STEP,RR,RH (Ref # 34028A) | 34028-0135 | 1 |
| STEP,FR,LH (Ref # 34028B) | 34028-0136 | 1 |
| STEP,FR,RH (Ref # 34028C) | 34028-0137 | 1 |
| BOLT,SOCKET,8X23.5 (Ref # 92002) | 92002-1598 | 1 |
| BOLT,BANK SENSOR (Ref # 92002A) | 92002-1995 | 1 |
| PIN,8X36.5 (Ref # 92043) | 92043-1339 | 1 |
| PIN,6X28 (Ref # 92043A) | 92043-1464 | 1 |
| BOLT,SOCKET,8X20 (Ref # 92153) | 92153-1621 | 1 |
| WASHER,FR STEP (Ref # 92200) | 92200-0560 | 1 |
| WASHER,RR STEP (Ref # 92200A) | 92200-0561 | 1 |
| WASHER,6.5X13X2.0 (Ref # 92200B) | 92200-0562 | 1 |