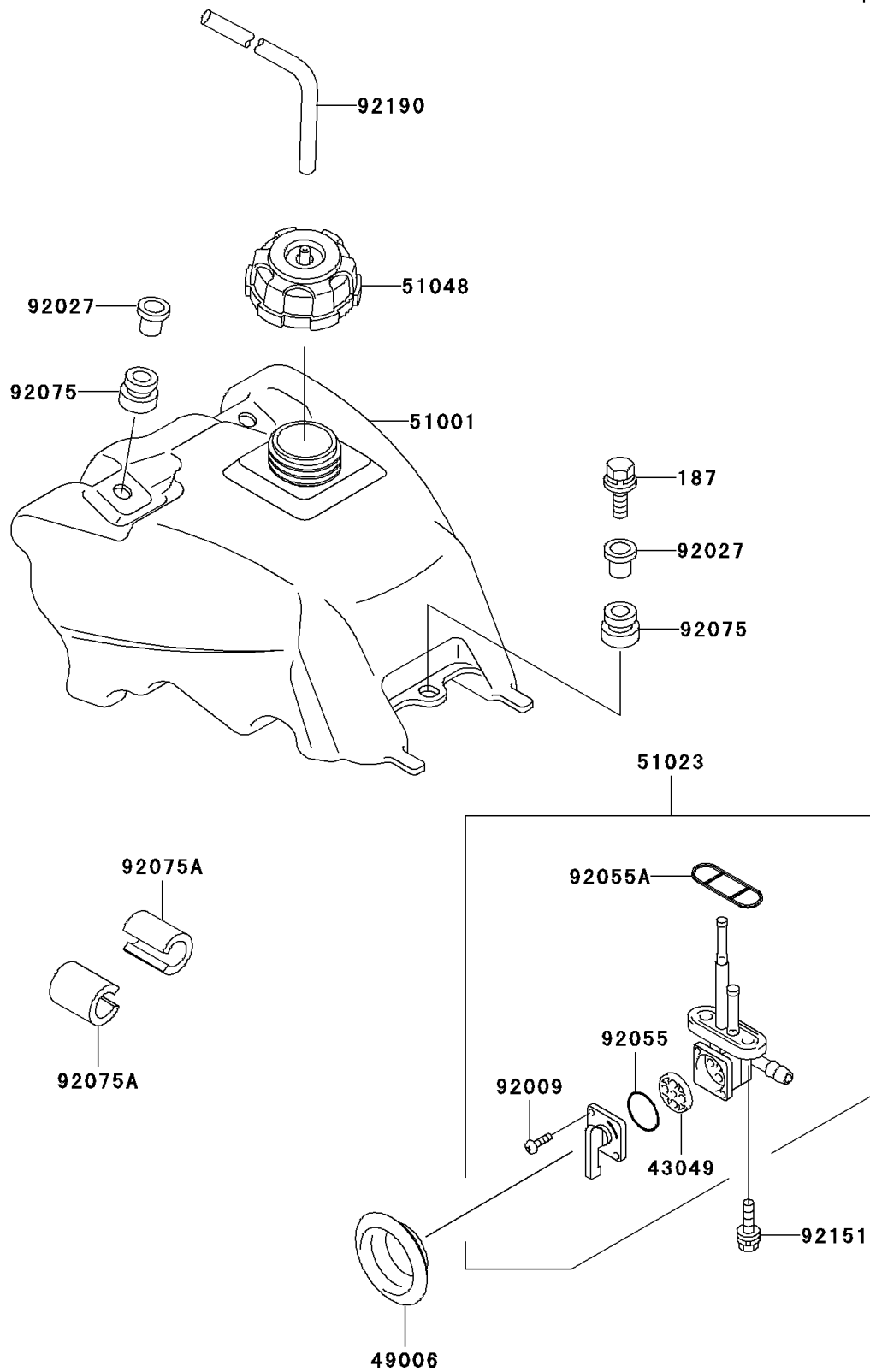


## 2001 Lakota™ Sport PARTS DIAGRAM

Fuel Tank

F2410



## 2001 Lakota™ Sport PARTS LIST

Fuel Tank

| ITEM NAME                              | PART NUMBER | QUANTITY |
|--|-------------|----------|
| BOLT-UPSET-WSP (Ref # 187)             | 187D0630    | 1        |
| PACKING,FUEL TAP LEVER (Ref # 43049)   | 43049-1017  | 1        |
| BOOT (Ref # 49006)                     | 49006-1192  | 1        |
| TANK-COMP-FUEL (Ref # 51001)           | 51001-1482  | 1        |
| TAP-ASSY,FUEL (Ref # 51023)            | 51023-1146  | 1        |
| CAP-ASSY-TANK,FUEL (Ref # 51048)       | 51048-1133  | 1        |
| SCREW,3X5 (Ref # 92009)                | 92009-1123  | 1        |
| COLLAR,L=16.1 (Ref # 92027)            | 92027-1847  | 1        |
| RING-O,FUEL TAP LEVER (Ref # 92055)    | 92055-1111  | 1        |
| RING-O,FUEL TAP PACKING (Ref # 92055A) | 92055-1348  | 1        |
| DAMPER (Ref # 92075)                   | 92075-1787  | 1        |
| DAMPER,FUEL TANK (Ref # 92075A)        | 92075-1835  | 1        |
| BOLT,6X14 (Ref # 92151)                | 92151-1198  | 1        |
| TUBE,4.7X9.5X350 (Ref # 92190)         | 92190-1022  | 1        |