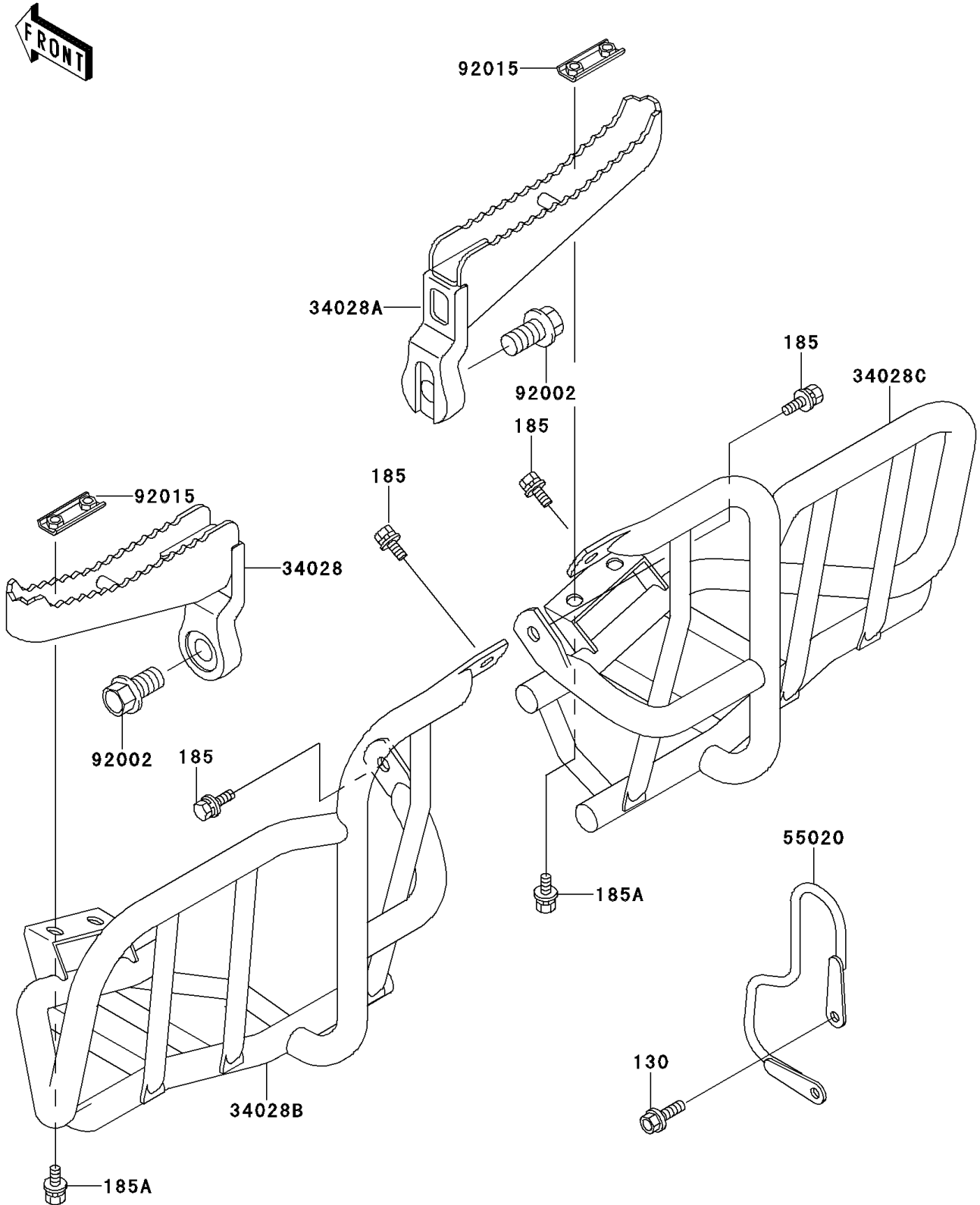


2000 Lakota™ 300 PARTS DIAGRAM

Footrests

F2160



2000 Lakota™ 300 PARTS LIST

Footrests

| ITEM NAME | PART NUMBER | QUANTITY |
|--|---------------|----------|
| BOLT-FLANGED,6X12 (Ref # 130) | 130G0612 | 1 |
| BOLT-UPSET-WSP-SMALL (Ref # 185) | 185J0818 | 1 |
| BOLT-UPSET-WSP-SMALL,8X20 (Ref # 185A) | 185J0820 | 1 |
| STEP,LH,SILVER NO.40 (Ref # 34028) | 34028-1391-5A | 1 |
| STEP,RH,SILVER NO.40 (Ref # 34028A) | 34028-1392-5A | 1 |
| STEP,FOOT BOARD,LH,SILVER (Ref # 34028B) | 34028-1397-5A | 1 |
| STEP,FOOT BOARD,RH,SILVER (Ref # 34028C) | 34028-1398-5A | 1 |
| GUARD,CHAIN,LEFT SIDE,SILVER (Ref # 55020) | 55020-1526-5A | 1 |
| BOLT,FLANGED,14X25 (Ref # 92002) | 92002-1767 | 1 |
| NUT (Ref # 92015) | 92015-1732 | 1 |