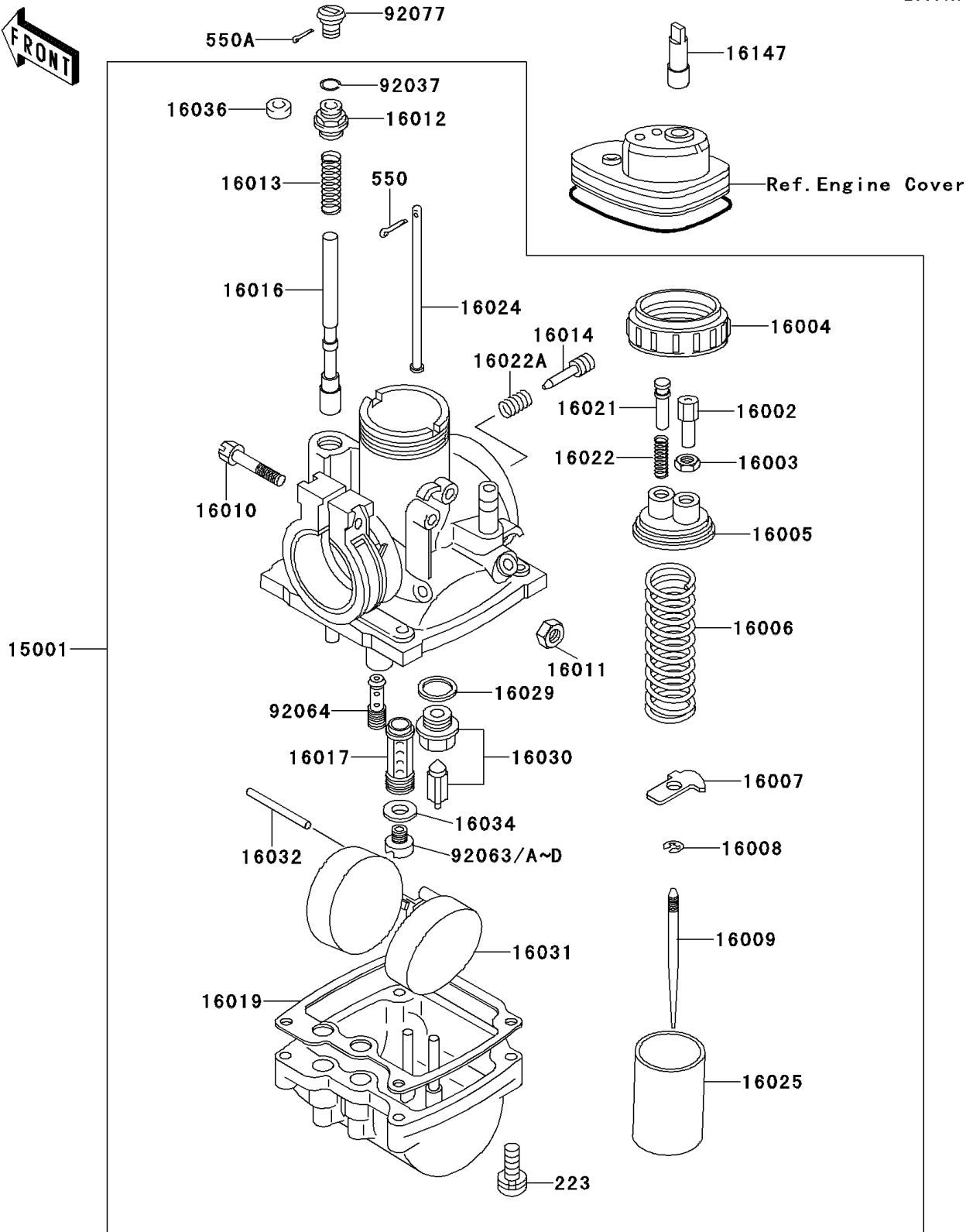


1997 KE100 PARTS DIAGRAM

Carburetor(CN)(KE100-B16)

E1611A



1997 KE100 PARTS LIST

Carburetor(CN)(KE100-B16)

ITEM NAME	PART NUMBER	QUANTITY
CARBURETOR-ASSY (Ref # 15001)	15001-1191	1
ADJUSTER-CABLE (Ref # 16002)	16002-017	1
NUT,CABLE ADJUST LOCK (Ref # 16003)	16003-004	1
CAP-CHAMBER,MIXING (Ref # 16004)	16004-010	1
TOP-CHAMBER,MIXING (Ref # 16005)	16005-005	1
SPRING,THROTTLE VALVE (Ref # 16006)	16006-013	1
SEAT-SPRING,THROTTLE VALVE (Ref # 16007)	16007-020	1
CLAMP,E-TYPE (Ref # 16008)	16008-010	1
NEEDLE-JET,4EJ7 (Ref # 16009)	16009-059	1
SCREW,CLAMP (Ref # 16010)	16010-004	1
NUT,6MM (Ref # 16011)	16011-002	1
CAP-STARTER PLUNGER (Ref # 16012)	16012-021	1
SPRING,STARTER PLUNGER (Ref # 16013)	16013-010	1
SCREW-PILOT AIR (Ref # 16014)	16014-002	1
PLUNGER,STARTER (Ref # 16016)	16016-012	1
JET-NEEDLE,0-4 (Ref # 16017)	16017-081	1
GASKET,FLOAT CHAMBER (Ref # 16019)	16019-021	1
SCREW-THROTTLE STOP (Ref # 16021)	16021-002	1
SPRING,THROTTLE STOP SCREW (Ref # 16022)	16022-005	1
SPRING,PILOT AIR SCREW (Ref # 16022A)	16022-007	1
ROD,THROTTLE VALVE STOP (Ref # 16024)	16024-006	1
VALVE-THROTTLE,CA2.0 (Ref # 16025)	16025-057	1
SCREW-PAN-WS-CROS (Ref # 223)	223B0418	1
PIN-COTTER,1.2X10 (Ref # 550)	550D1210	1
PIN-COTTER,1.6X15 (Ref # 550A)	550D1615	1
GASKET,FLOAT VALVE SEAT (Ref # 16029)	16029-002	1
VALVE-FLOAT,#2.0 (Ref # 16030)	16030-001	1
FLOAT (Ref # 16031)	16031-015	1
PIN,FLOAT (Ref # 16032)	16032-003	1

1997 KE100 PARTS LIST

Carburetor(CN)(KE100-B16)

ITEM NAME	PART NUMBER	QUANTITY
WASHER,MAIN JET (Ref # 16034)	16034-001	1
BOOT,STARTER PLUNGER (Ref # 16036)	16036-012	1
PLUG,12X40 (Ref # 16147)	16147-001	1
CLAMP (Ref # 92037)	92037-1077	1
JET-MAIN,#85R (Ref # 92063)	92063-093	1
JET-MAIN,#A80R (Ref # 92063A)	92063-1030	1
JET-MAIN,#A77.5R (Ref # 92063B)	92063-1032	1
JET-MAIN,#75R (Ref # 92063C)	92063-109	1
JET-MAIN,#82.5R (Ref # 92063D)	92063-124	1
JET-PILOT,#17.5 (Ref # 92064)	92064-020	1
KNOB,CARBURETOR (Ref # 92077)	92077-022	1