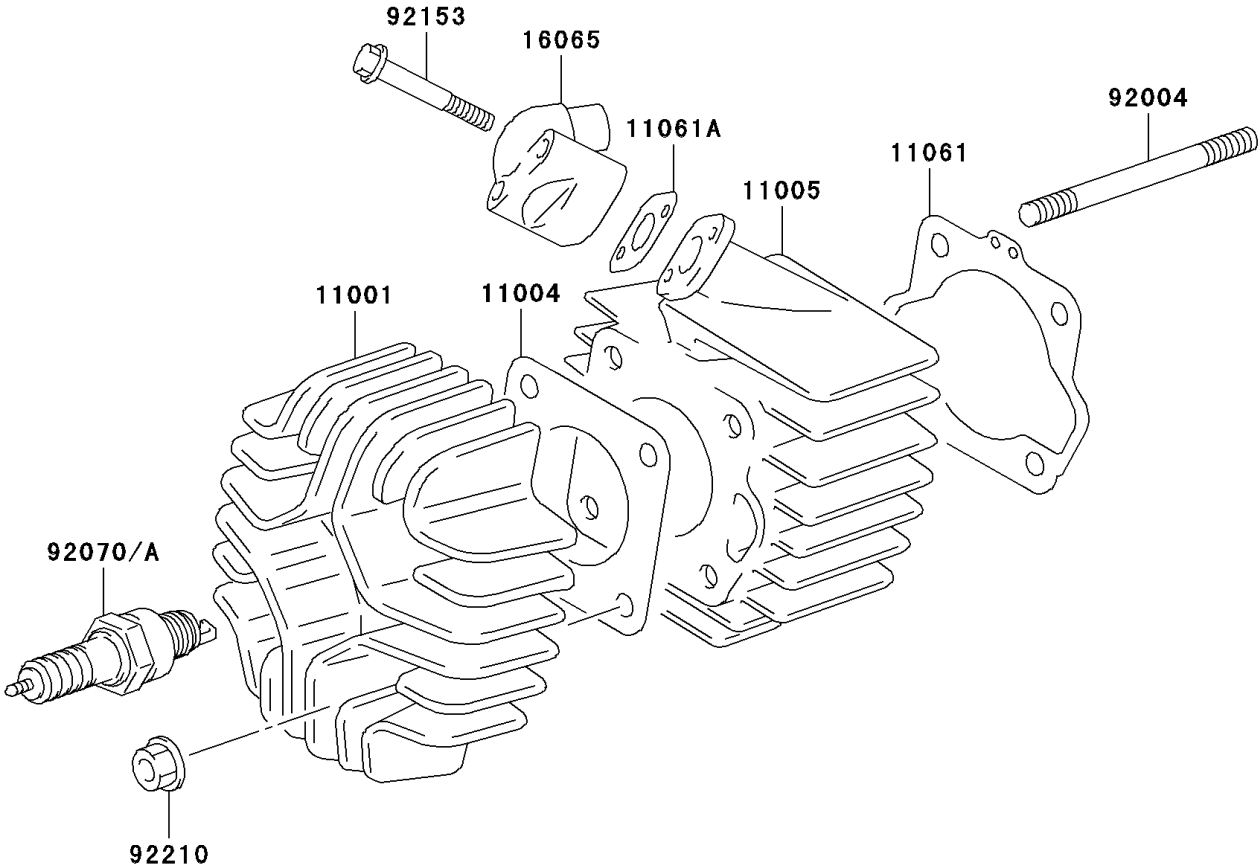


2003 KDX™50 PARTS DIAGRAM

Cylinder Head/Cylinder

E1110



2003 KDX™50 PARTS LIST

Cylinder Head/Cylinder

ITEM NAME	PART NUMBER	QUANTITY
HEAD-CYLINDER (Ref # 11001)	11001-S001	1
GASKET-HEAD (Ref # 11004)	11004-S004	1
CYLINDER-ENGINE (Ref # 11005)	11005-S008	1
GASKET,CYLINDER (Ref # 11061)	11061-S041	1
GASKET,INTAKE PIPE (Ref # 11061A)	11061-S042	1
HOLDER-CARBURETOR (Ref # 16065)	16065-S008	1
STUD,L=90 (Ref # 92004)	92004-S006	1
PLUG-SPARK,BPR4HS(NGK) (Ref # 92070)	92070-S022	1
PLUG-SPARK,W14FPR-UL(ND) (Ref # 92070A)	92070-S023	1
BOLT,INTAKE PIPE (Ref # 92153)	92153-S189	1
NUT (Ref # 92210)	92210-S004	1