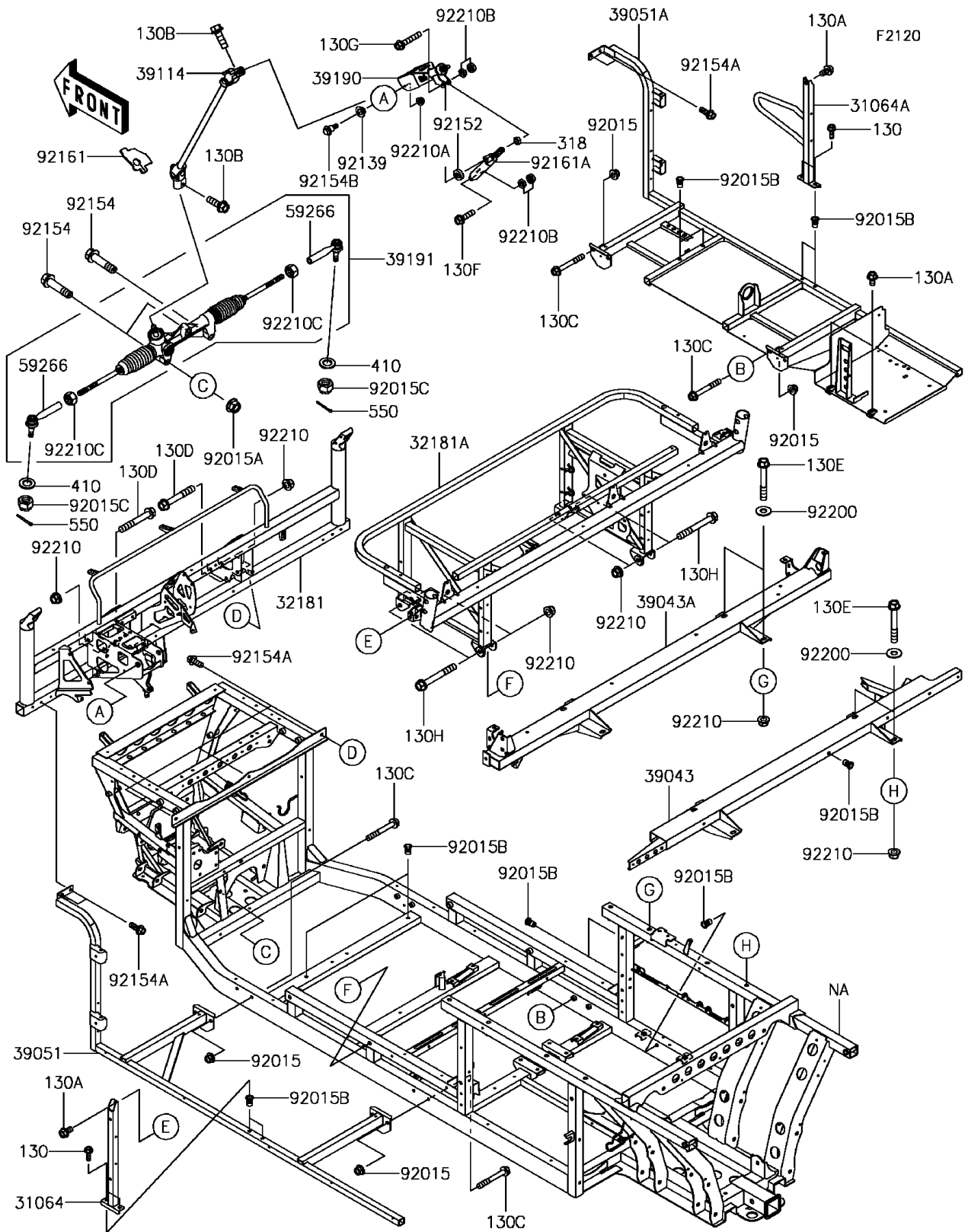


2017 MULE PRO-DX™ PARTS DIAGRAM

Frame



2017 MULE PRO-DX™ PARTS LIST

Frame

ITEM NAME	PART NUMBER	QUANTITY
BOLT-FLANGED,6X18 (Ref # 130)	130BA0618	1
BOLT-FLANGED,8X14 (Ref # 130A)	130BA0814	1
BOLT-FLANGED,8X25 (Ref # 130B)	130BA0825	1
BOLT-FLANGED,8X60 (Ref # 130C)	130BA0860	1
BOLT-FLANGED,10X65 (Ref # 130D)	130BA1065	1
BOLT-FLANGED,10X70 (Ref # 130E)	130BA1070	1
BOLT-FLANGED,8X30 (Ref # 130F)	130CA0830	1
BOLT-FLANGED,8X45 (Ref # 130G)	130CA0845	1
BOLT-FLANGED,10X75 (Ref # 130H)	130CA1075	1
NUT-HEX-SMALL,8MM (Ref # 318)	318BA0800	1
WASHER-PLAIN-SMALL,14MM (Ref # 410)	410AA1400	1
PIN-COTTER,3.0X25 (Ref # 550)	550AA3025	1
PIPE-COMP,SEAT SIDE,LH (Ref # 31064)	31064-0664	1
PIPE-COMP,SEAT SIDE,RH (Ref # 31064A)	31064-0665	1
FRAME-SUB-COMP,DASH PANEL (Ref # 32181)	32181-0011	1
FRAME-SUB-COMP,SEAT (Ref # 32181A)	32181-0013	1
CROSSMEMBER-COMP,RR CROSS (Ref # 39043)	39043-0020	1
CROSSMEMBER-COMP,C-PILLAR (Ref # 39043A)	39043-0026	1
FRAME-COMP-SIDE,LH (Ref # 39051)	39051-0003	1
FRAME-COMP-SIDE,RH (Ref # 39051A)	39051-0014	1
SHAFT-COMP-STRG (Ref # 39114)	39114-0016	1
SHAFT-ASSY-STEERING (Ref # 39190)	39190-0006	1
GEAR-ASSY-STEERING (Ref # 39191)	39191-0030	1
JOINT-BALL (Ref # 59266)	59266-0712	1
NUT,8MM (Ref # 92015)	92015-1432	1
NUT,LOCK,FLANGED,12MM (Ref # 92015A)	92015-1433	1
NUT,POP,6MM,L=15 (Ref # 92015B)	92015-1791	1
NUT,CASTLE,14MM (Ref # 92015C)	92015-1841	1
BUSHING (Ref # 92139)	92139-0230	1

2017 MULE PRO-DX™ PARTS LIST

Frame

ITEM NAME	PART NUMBER	QUANTITY
COLLAR,8.2X18X5 (Ref # 92152)	92152-1848	1
BOLT,FLANGED,12X50 (Ref # 92154)	92154-1008	1
BOLT,FLANGED,8X20 (Ref # 92154A)	92154-1226	1
BOLT,6X21.5 (Ref # 92154B)	92154-1320	1
DAMPER (Ref # 92161)	92161-1688	1
DAMPER,GAS SPRING (Ref # 92161A)	92161-1825	1
WASHER,10.5X25X1.6 (Ref # 92200)	92200-1595	1
NUT,LOCK,FLANGED,10MM (Ref # 92210)	92210-0276	1
NUT,LOCK,FLANGED,6MM (Ref # 92210A)	92210-0303	1
NUT,HARD LOCK,8MM (Ref # 92210B)	92210-0934	1
NUT,16MM (Ref # 92210C)	92210-0969	1